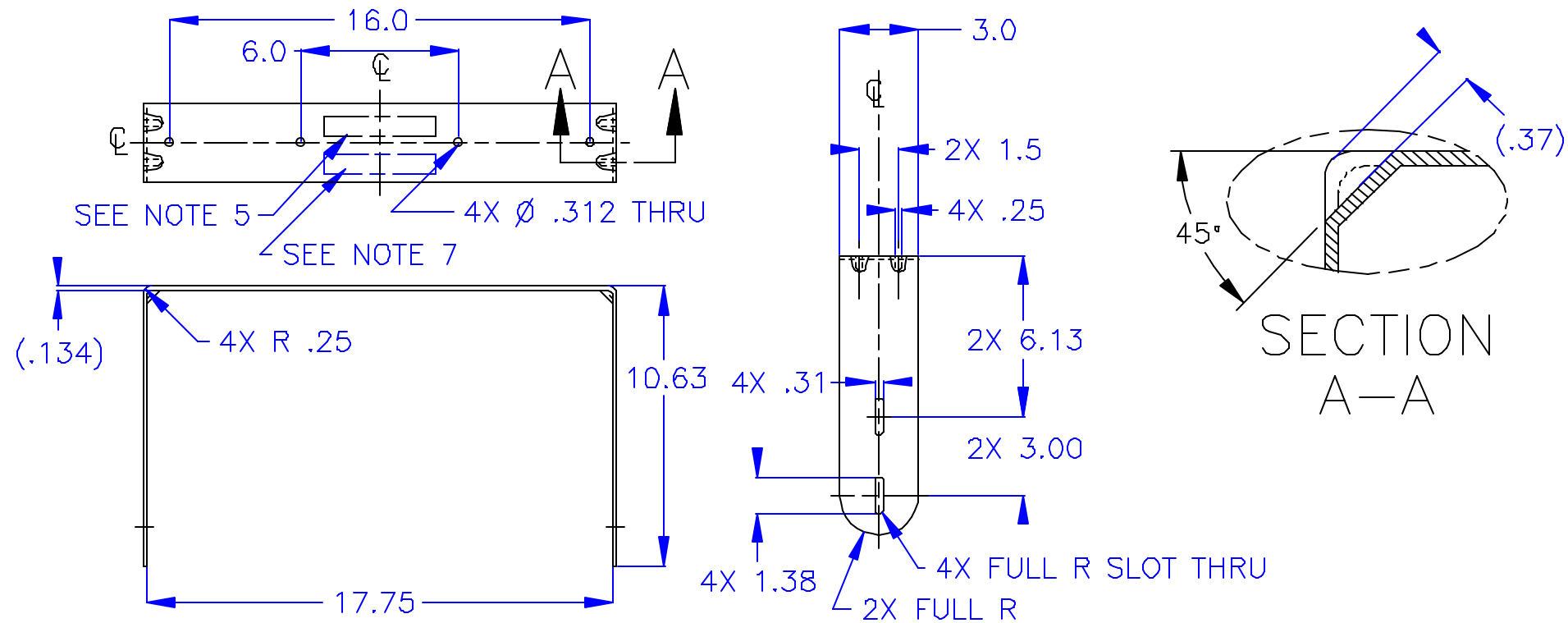


NOTES:

1. MATERIAL: 10 GA (.134) CRS
2. FINISH: DUPONT EFB-504-SO RAVEN BLACK POWDERCOAT, SHERWIN WILLIAMS POLANE T CARBIDE BLACK F63 B12, SHERWIN WILLIAMS POWDURA EPOXY POWDERCOAT OR MORTON 10-7068 VISTA BLACK POWDERCOAT.
3. REMOVE BURRS AND SHARP EDGES.
4. PARTS TO BE CLEANED AND FREE OF GREASE AND DEBRIS.
5. EAW PART NUMBER, CURRENT REVISION AND DATE MANUFACTURED TO BE STAMPED, LABELED OR PERMANENTLY MARKED WHERE SHOWN. IN A CONTRASTING COLOR. LETTERS TO BE .125[3.18 mm] TALL MINIMUM.
6. REFER TO EAW MATERIAL SPECIFICATION 480455 FOR LABELING AND SHIPPING REQUIREMENTS.
7. SUPPLIER I.D. TO BE PERMANENTLY MARKED WHERE SHOWN.
8. THIS ITEM MUST BE COMPLIANT WITH EU DIRECTIVE 2002/95/EC (RoHS). USE ONLY RoHS COMPLIANT MATERIALS AND FINISHES.

REV	DESCRIPTION	APVD/DATE
B	2X CHANGED OUTSIDE RADIUS FROM .375 TO .25. DIM (.37) WAS .31, SEE SECTION A-A. DIM 4X R .25 WAS 2X R .25 PER ECOWHT3068 MELANIE 9/30/03	RAS 10/1/03
C	CHANGED NOTE 5 AND ADDED NOTES 7 AND 8. UPDATED TOLERANCE BLOCK AND USED 'B' FORMAT. PER ECOWHT 4213 CA 5/31/06	KFH 6/2/06



DOCUMENT CONTROL PER SPECIFICATION 4.5.201

<p>THIRD ANGLE PROJECTION</p>	<p>UNLESS OTHERWISE SPECIFIED: ALL DIMENSIONS ARE IN INCHES DUAL [MM] DIMENSIONS REF ONLY</p> <p>TOLERANCE IN INCHES .X ±.03 .XX ±.015 .XXX ±.005 FRACTIONS ±1/32 ANGLES ±1/2°</p> <p>(X.XX) = REF DIMS NO TOLERANCE IMPLIED</p> <p>TSC=THEORETICAL SHARP CORNER DIMENSIONS ACROSS CENTERLINES TO BE SYMMETRICAL</p>	<p>STATUS: <b>PRODUCTION</b></p>		<p><b>EAW</b> EASTERN ACOUSTIC WORKS ONE MAIN STREET WHITINSVILLE, MA 01588 USA</p>
		<p>APPROVALS</p> <p>DATE</p>	<p>DATE</p>	
<p>THIS DRAWING IS THE PROPERTY OF EAW AND SHALL NOT BE COPIED, REPRODUCED, OR USED AS THE BASIS FOR MANUFACTURE OR SALE OF APPARATUS WITHOUT WRITTEN AUTHORIZATION. DO NOT SCALE DRAWING.</p>	<p>DRAWN: PSN</p> <p>CHECKED: RAS</p> <p>DES ENG: NB</p> <p>MFG ENG: MD</p>	<p>5/30/02</p> <p>2/24/03</p> <p>3/3/03</p> <p>2/26/03</p>	<p>SHEET 1 OF 1</p> <p>SCALE: 1 TO 6</p>	<p>DRAWING NUMBER: 0004702</p> <p>REVISION: C</p>