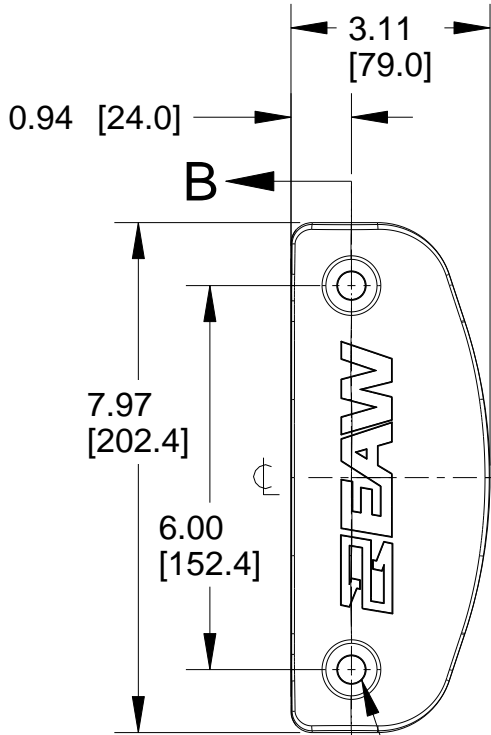


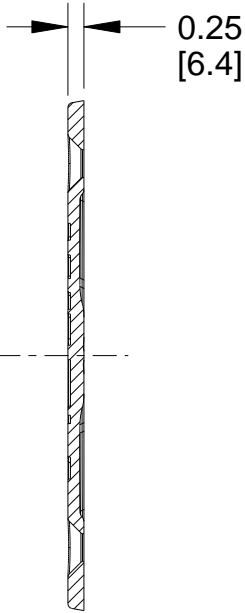
NOTES:

1. WEIGHT APPROX. 0.7 lbs [0.3 kg]
2. SHIPPING WEIGHT APPROX. 0.9 lbs [0.4 kg]

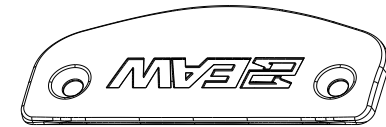
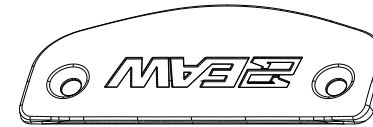
REV	CHANGE NUMBER	DATE
A	ECOWHT7313	2/17/11



2X LOUDSPEAKER MOUNTING POINTS

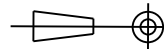


SECTION B-B



ACC-CPS
2 PLATES INCLUDED

THIRD ANGLE PROJECTION



THE INFORMATION CONTAINED
HEREIN IS PROPRIETARY AND
CONFIDENTIAL PROPERTY OF
LOUD TECHNOLOGIES, INC.
ALL RIGHTS RESERVED

UNLESS OTHERWISE SPECIFIED:
ALL DIMENSIONS ARE IN INCHES
DUAL [MM] DIMENSIONS
FOR REF ONLY

TOLERANCE IN INCHES
LINEAR ± 0.13 in / ± 3.3 mm
ANGLES $\pm 1^\circ$

(X.XX) = REF DIMS
NO TOLERANCE IMPLIED

TSC = THEORETICAL SHARP CORNER

DIMENSIONS ACROSS CENTERLINES
TO BE SYMMETRICAL

EAW www.eaw.com

TITLE: **DWG CUSTOMER
ACC-CPS
[MECHANICAL SPECIFICATION]**

A

SHEET 1 OF 1

SCALE:
0.333

DRAWING NUMBER:

2035473-CD

REVISION:

A

PRO ENGINEER