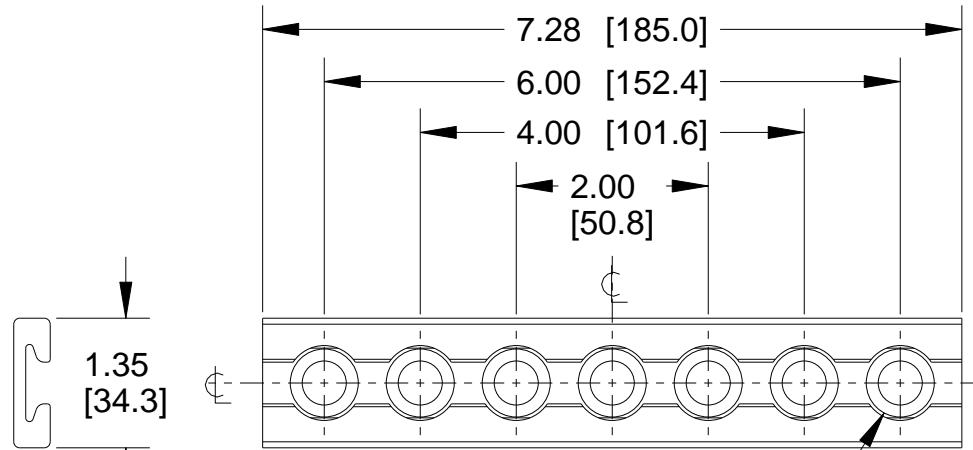
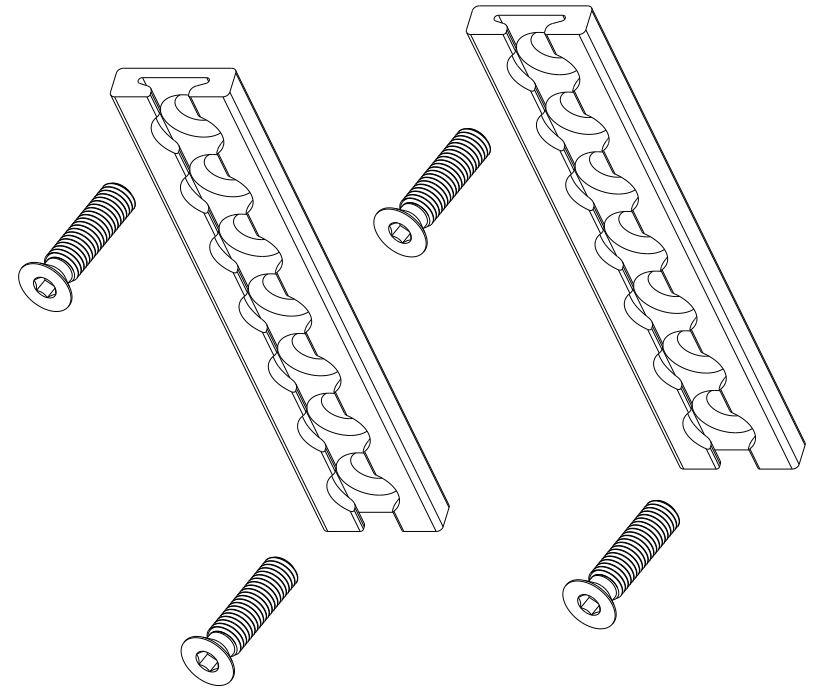


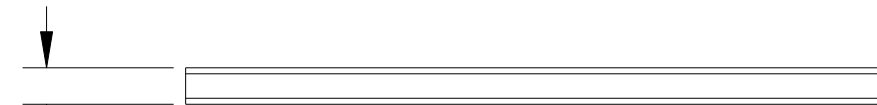
REV	CHANGE NUMBER	DATE
A	ECOWHT7313	2/17/11



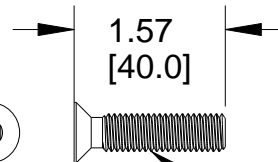
7X LOUDSPEAKER
MOUNTING POINT/FLYTRACK
CLIP LOCATING FEATURE



ACC-FTS
2 FLYTRACKS AND
4 SCREWS INCLUDED



0.38
[9.7]



1.57
[40.0]

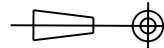
6mm ALLEN DRIVE

M10 THREAD

NOTES:

1. WEIGHT APPROX. 0.7 lbs [0.3 kg]
2. SHIPPING WEIGHT APPROX. 1.1 lbs [0.5 kg]
3. WEIGHT LOAD LIMIT OF SINGLE ACC-FTS 100.0 lbs [45 kg]

THIRD ANGLE PROJECTION



THE INFORMATION CONTAINED
HEREIN IS PROPRIETARY AND
CONFIDENTIAL PROPERTY OF
LOUD TECHNOLOGIES, INC.
ALL RIGHTS RESERVED

UNLESS OTHERWISE SPECIFIED:
ALL DIMENSIONS ARE IN INCHES
DUAL [MM] DIMENSIONS
FOR REF ONLY

TOLERANCE IN INCHES
LINEAR ± 0.13 in / ± 3.3 mm
ANGLES $\pm 1^\circ$

(X.XX) = REF DIMS
NO TOLERANCE IMPLIED

TSC = THEORETICAL SHARP CORNER

DIMENSIONS ACROSS CENTERLINES
TO BE SYMMETRICAL

EAW www.eaw.com

TITLE: DWG CUSTOMER
ACC-FTS
[MECHANICAL SPECIFICATION]

A

SHEET 1 OF 1

SCALE:
0.500

DRAWING NUMBER:

2035439-CD

REVISION:

A

PRO ENGINEER