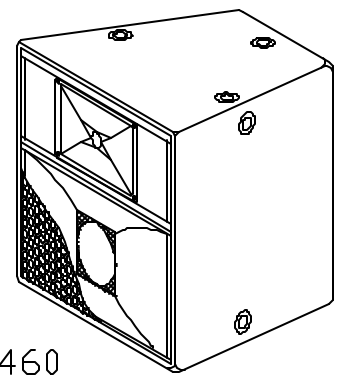
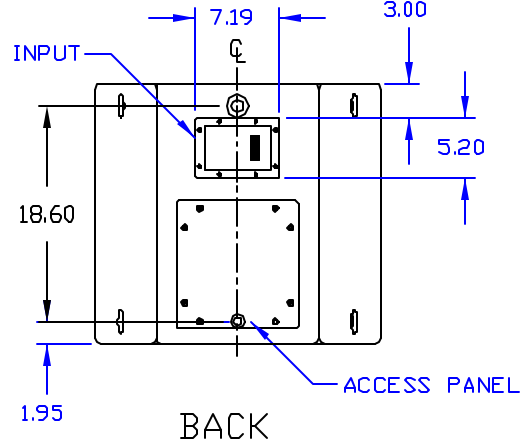
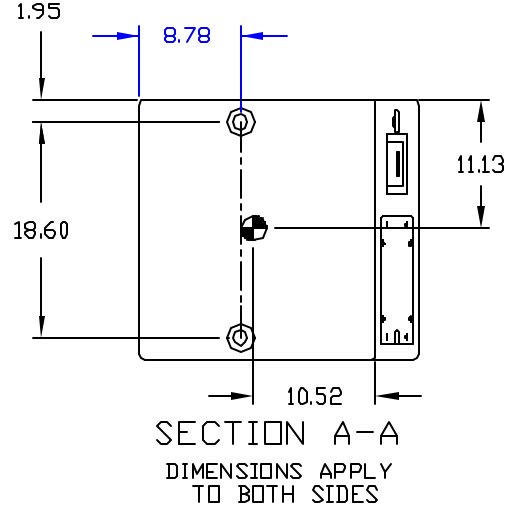
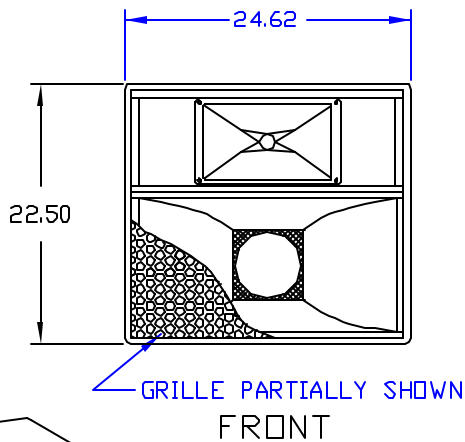


REV	DESCRIPTION	APVD/DATE
2	UPDATED DWG TO CURRENT DESIGN STANDARDS. PER ECD #4394 DM 2/1/00	KFH 2/23/00

NOTES:

1. SYMBOL INDICATES MOUNTING POINT, 3/8-16 THREADED HOLE (PI ANGLE).
2. SYMBOL INDICATES CENTER OF BALANCE.
3. WEIGHT APPROX. 63 LBS.
4. SHIPPING WEIGHT APPROX. 90 LBS.



DOCUMENT CONTROL PER SPECIFICATION 4.5.201

<p>THIRD ANGLE PROJECTION</p>	<p>UNLESS OTHERWISE SPECIFIED: ALL DIMENSIONS ARE IN INCHES TOLERANCE IN INCHES XX ± .13 ANGLES ±1</p> <p>CX,XXO = REF DIMS NO TOLERANCE IMPLIED</p> <p>T.S.C.=THEORETICAL SHARP CORNER DIMENSIONS ACROSS CENTERLINES TO BE SYMMETRICAL</p>	STATUS: PRODUCTION		<p>EA EASTERN ACOUSTIC WORKS 105 MAIN STREET WHITINSVILLE, MA 01886 USA</p>
		APPROVALS	DATE	
		DRAWN: RAS	2/26/98	CABINET/FINISHED/AS460 [MECHANICAL SPECIFICATION]
		CHECKED: JRM	2/27/98	
		DES ENG: ZC	2/27/98	A SHEET 1 OF 1 SCALE: 1 TO 16
		MFG ENG:		DRAWING NUMBER 510624 REVISION 2