


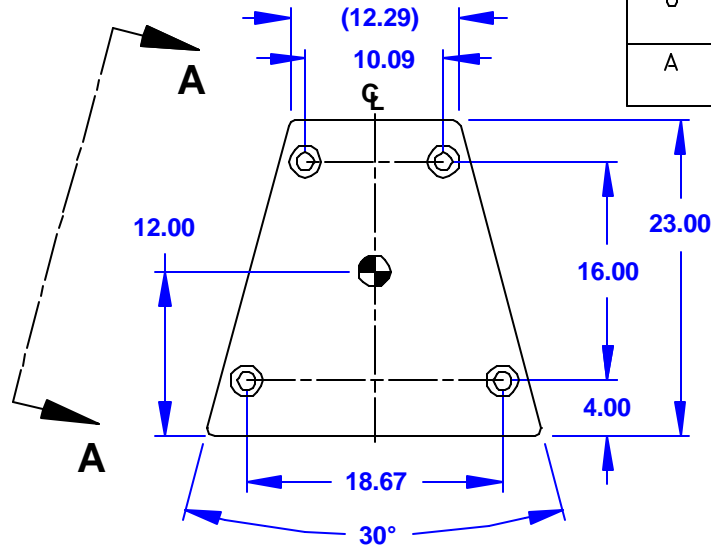


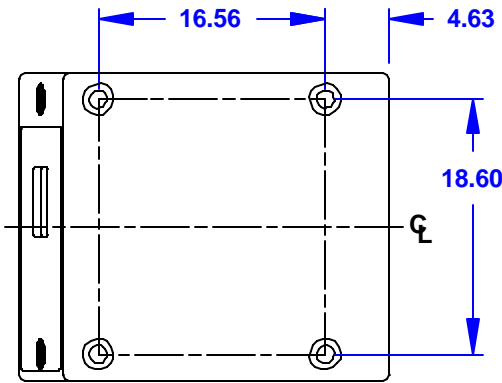
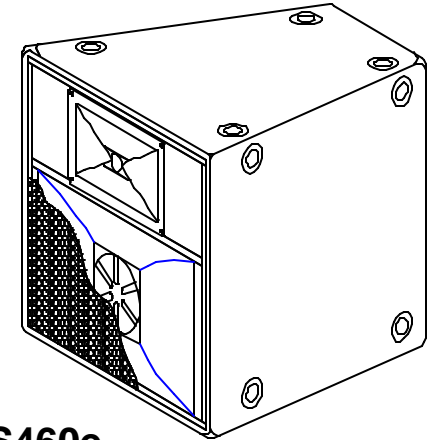
NOTES:

1. SYMBOL  INDICATES MOUNTING POINT, 3/8-16 THREADED HOLE (PI ANGLE).
2. SYMBOL  INDICATES MOUNTING POINT, 3/8-16 THREADED HOLE (NUT PLATE).
3. SYMBOL  INDICATES CENTER OF BALANCE.
4. WEIGHT APPROX. 86 LBS.
5. SHIPPING WEIGHT APPROX. 93 LBS.

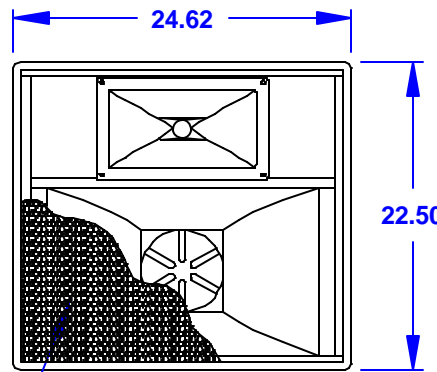
REV	DESCRIPTION	APVD/DATE
0	UPGRADE TO PRODUCTION FROM REV B PER DSR 01-427 MFL 5/8/01	MFL 5/10/01
A	ORACLE REVISION CONVERSION DRAWING WAS REV 0 PER ECO 5151 SS 6/20/01	SS 6/20/01



TOP/BOTTOM

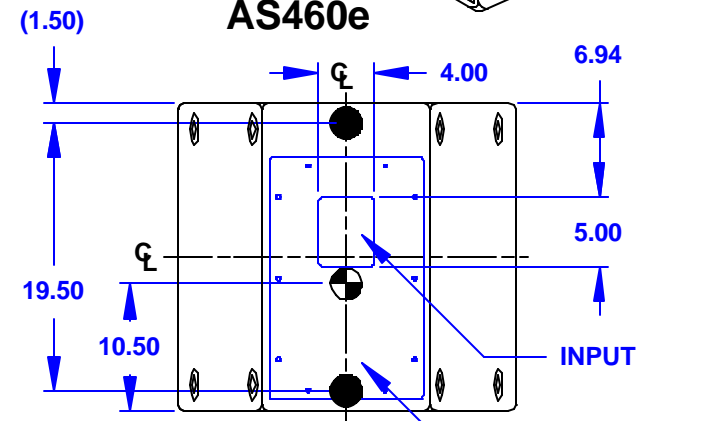


VIEW A-A
DIMENSIONS APPLY TO BOTH SIDES



GRILLE PARTIALLY SHOWN

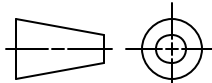
FRONT



AS460e

BACK

DOCUMENT CONTROL PER SPECIFICATION 4.5.201

<p>THIRD ANGLE PROJECTION</p> 	<p>UNLESS OTHERWISE SPECIFIED: ALL DIMENSIONS ARE IN INCHES TOLERANCE IN INCHES .XX ± .13 ANGLES ±1°</p> <p>{X.XX} - REF DIMS NO TOLERANCE IMPLIED</p> <p>T.S.C.=THEORETICAL SHARP CORNER</p> <p>DIMENSIONS ACROSS CENTERLINES TO BE SYMMETRICAL</p>	<p>STATUS: PRODUCTION</p>		<p>EAW EASTERN ACOUSTIC WORKS ONE MAIN STREET WHITINSVILLE, MA 01588 USA</p>
		<p>APPROVALS</p> <p>DATE</p>	<p>DATE</p>	
<p>THIS DRAWING IS THE PROPERTY OF EAW AND SHALL NOT BE COPIED, REPRODUCED, OR USED AS THE BASIS FOR MANUFACTURE OR SALE OF APPARATUS WITHOUT WRITTEN AUTHORIZATION. DO NOT SCALE DRAWING.</p>	<p>DRAWN: RAS</p> <p>CHECKED: MFL</p> <p>DES ENG: NB</p> <p>MFG ENG: DBD</p>	<p>2/6/01</p>	<p>5/10/01</p>	<p>A SHEET 1 OF 1</p>
		<p>5/14/01</p>	<p>5/18/01</p>	<p>SCALE: 1 TO 14</p>
		<p>DRAWING NUMBER: 509129</p>	<p>REVISION: A</p>	