

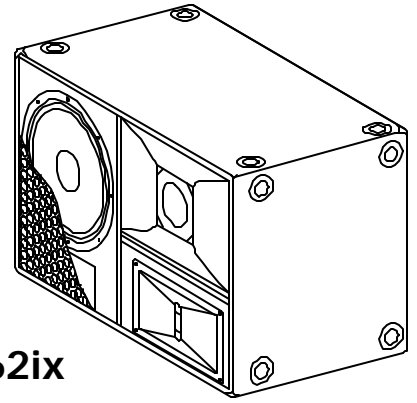


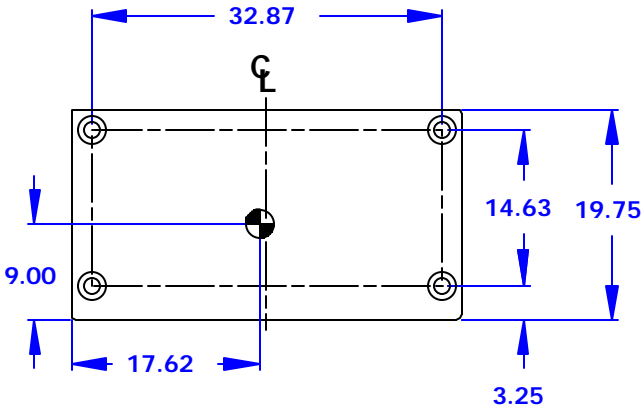
NOTES:

1. SYMBOL  INDICATES MOUNTING POINT, 3/8-16 THREADED HOLE (PI ANGLE).
2. SYMBOL  INDICATES CENTER OF BALANCE.
3. WEIGHT APPROX. 155 LBS.
4. SHIPPING WEIGHT APPROX. 167 LBS.

REV	DESCRIPTION	APVD/DATE
1	CORRECTED ORIENTATION OF CABINET PER ECO 3995 MFL 7/28/99	FEL 8/12/99

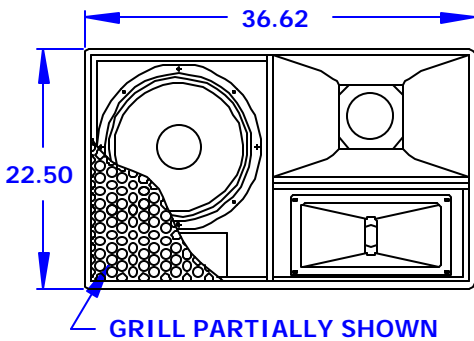


AS562ix

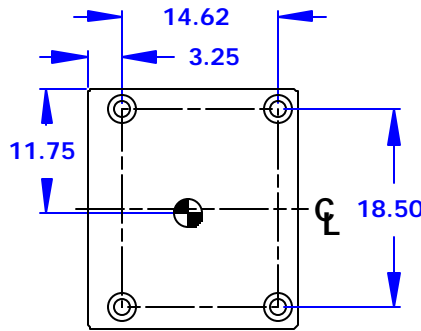


TOP

DIMENSIONS APPLY TO TOP AND BOTTOM

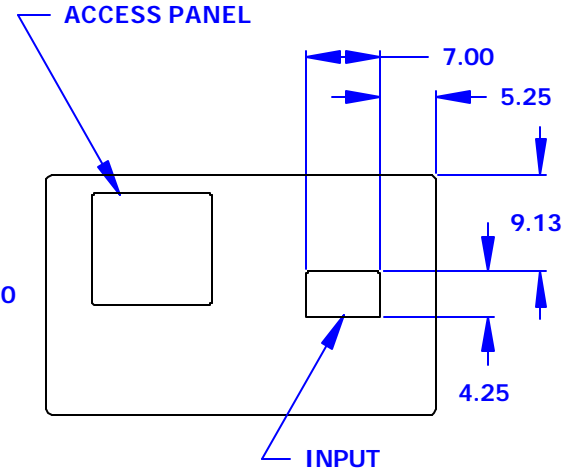


FRONT



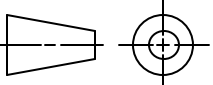
RIGHT SIDE

DIMENSIONS APPLY TO BOTH SIDES



BACK

DOCUMENT CONTROL PER SPECIFICATION 4.5.201

<p>THIRD ANGLE PROJECTION</p> 	<p>UNLESS OTHERWISE SPECIFIED: ALL DIMENSIONS ARE IN INCHES</p> <p>TOLERANCE IN INCHES .XX ± .13 ANGLES ± 1°</p> <p>(X.XX) = REF DIMS NO TOLERANCE IMPLIED</p> <p>T.S.C.=THEORETICAL SHARP CORNER</p> <p>DIMENSIONS ACROSS CENTERLINES TO BE SYMMETRICAL</p>	<p>STATUS: PRODUCTION</p>		<p>EA EASTERN ACOUSTIC WORKS ONE MAIN STREET WHITINSVILLE, MA 01588 USA</p>	
		<p>APPROVALS</p> <p>DRAWN: JRM 2/18/97</p> <p>CHECKED: JWB 2/25/97</p> <p>DES ENG: JR 3/6/97</p> <p>MFG ENG: JS 3/9/97</p>	<p>DATE</p>		<p>TITLE: CABINET/FINISHED/BLACK/ AS562ix [MECHANICAL SPECIFICATION]</p>
<p>THIS DRAWING IS THE PROPERTY OF EAW AND SHALL NOT BE COPIED, REPRODUCED, OR USED AS THE BASIS FOR MANUFACTURE OR SALE OF APPARATUS WITHOUT WRITTEN AUTHORIZATION. DO NOT SCALE DRAWING.</p>		<p>A SHEET 1 OF 1</p>	<p>SCALE: 1 TO 18</p>	<p>DRAWING NUMBER: 510216</p>	<p>REVISION: 1</p>