


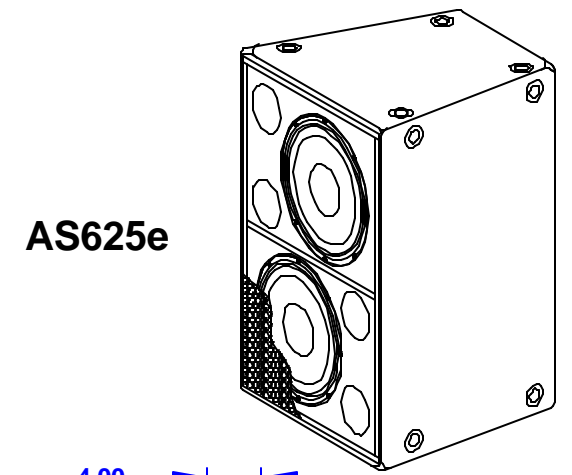
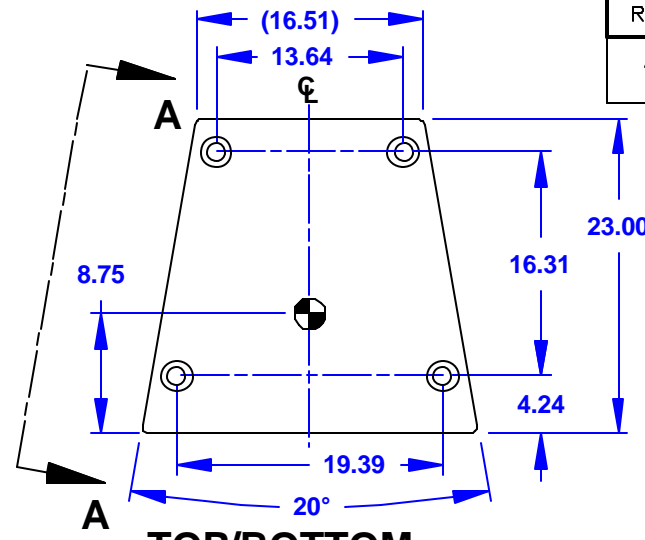


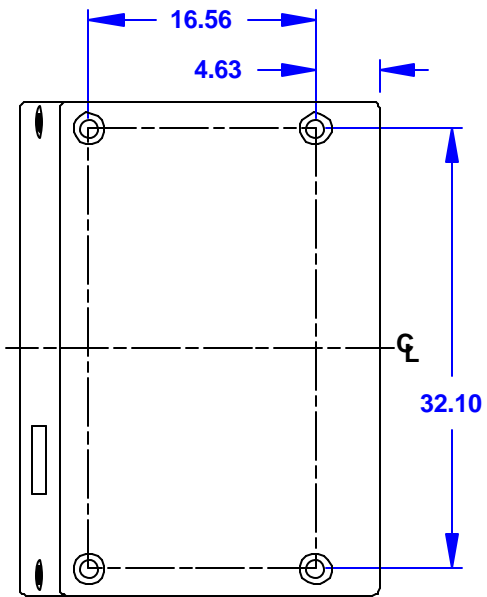
NOTES:

1. SYMBOL  INDICATES MOUNTING POINT, 3/8-16 THREADED HOLE (PI ANGLE).
2. SYMBOL  INDICATES MOUNTING POINT, 3/8-16 THREADED HOLE (NUT PLATE).
3. SYMBOL  INDICATES CENTER OF BALANCE.
4. WEIGHT APPROX. 135 LBS.
5. SHIPPING WEIGHT APPROX. 150 LBS.

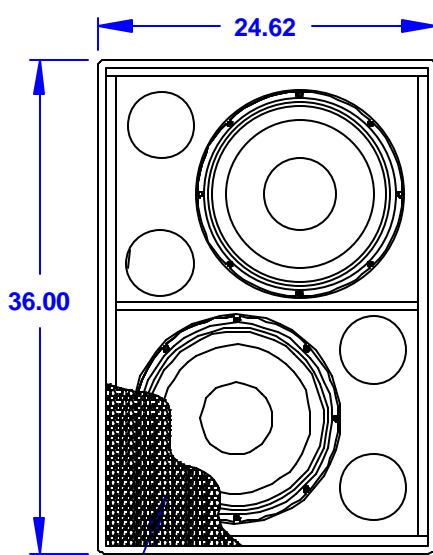
REV	DESCRIPTION	APVD/DATE
A	ORACLE REVISION CONVERSION DRAWING WAS REV 0 PER ECO 5151 SS 6/20/01	ES 6/20/01



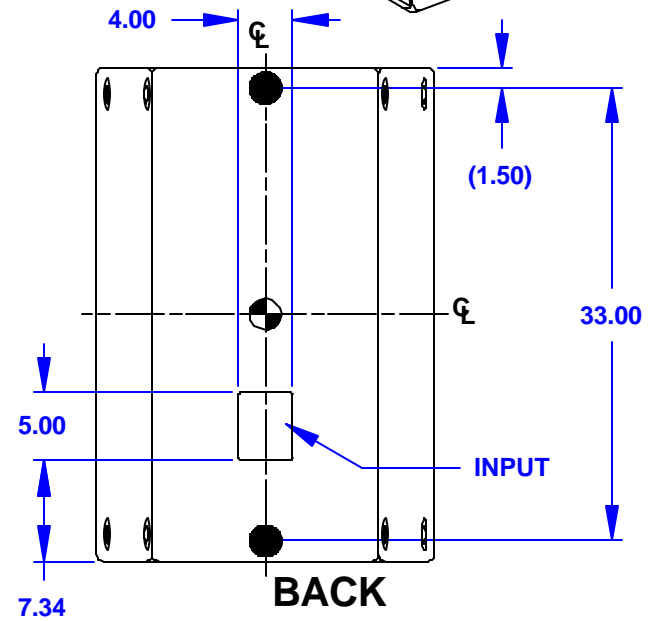
AS625e



VIEW A-A
DIMENSIONS APPLY TO BOTH SIDES

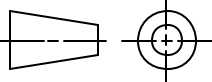



FRONT
GRILLE PARTIALLY SHOWN



BACK

DOCUMENT CONTROL PER SPECIFICATION 4.5.201

 THIRD ANGLE PROJECTION	UNLESS OTHERWISE SPECIFIED: ALL DIMENSIONS ARE IN INCHES	STATUS: PRODUCTION	EASTERN ACOUSTIC WORKS  ONE MAIN STREET WHITINSVILLE, MA 01588 USA	
	TOLERANCE IN INCHES .XX ± .13 ANGLES ± 1°	APPROVALS: _____ DATE: _____ DRAWN: MFL 1/24/01 CHECKED: RS 5/22/01 DES ENG: NB 5/22/01 MFG ENG: DBD 5/22/01	TITLE: CABINET/FINISHED/BLACK/ AS625e [MECHANICAL SPECIFICATION]	
THIS DRAWING IS THE PROPERTY OF EAW AND SHALL NOT BE COPIED, REPRODUCED, OR USED AS THE BASIS FOR MANUFACTURE OR SALE OF APPARATUS WITHOUT WRITTEN AUTHORIZATION. DO NOT SCALE DRAWING.	(X.XX) = REF DIMS NO TOLERANCE IMPLIED T.S.C.=THEORETICAL SHARP CORNER DIMENSIONS ACROSS CENTERLINES TO BE SYMMETRICAL	SHEET 1 OF 1	SCALE: 1 TO 14	DRAWING NUMBER: 509140
				REVISION: A