



SPECIFICATIONS AS625e

DESCRIPTION

A dedicated low frequency/subwoofer system in a trapezoidal enclosure. Includes 2x 15-in woofers, vented.

APPLICATION

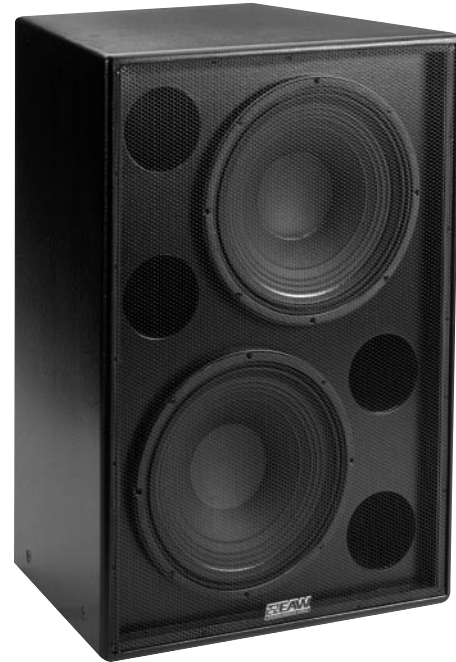
The AS625e is engineered for use in permanent installations. It can serve as a low frequency module when used with the AS460e or AS490e mid/high modules or as a subwoofer when used with the AS660e or AS690e full range systems. Its trapezoid angles create the ideal splay for arrays of 2x AS660e's or AS460e's. Includes comprehensive 3/8"-16 mounting/suspension points. Six year warranty.

Applications include:

Stadiums	Arenas
Performing ArtsCenters	Houses of Worship

PERFORMANCE

Frequency Response (Hz)	
±3 dB	57 Hz to 500 Hz
-10 dB	45 Hz
Axial Sensitivity (dB SPL, 1 Watt @ 1m)	
LF	100
Impedance (Ohms)	
LF	4
Power Handling (Watts, Continuous)	
LF	1200
Recommended High-Pass Frequency	
24 dB/Octave	40 Hz
Calculated Maximum Output (dB SPL @ 1m)	
LF Peak	136
LF Long Term	130



PHYSICAL

Product Group	I	
System Configuration	Dedicated low frequency system	
LF Subsystem & Loading	2x 15-in, vented	
Cabinet Type (shape)	Trapezoidal	
Enclosure Materials	Exterior grade Baltic birch plywood	
Finish	Wear-resistant textured black paint	
Connectors	2-Contact terminal strip	
Suspension Hardware	(18) 3/8"-16 threaded mounting/suspension points (4 each top, bottom and sides, 2 on back)	
Grille	Powder coated perforated steel	
Dimensions	inches	millimeters
	Height	36.0 914
	Width (Front)	24.6 626
	Width (Rear)	16.5 419
	Depth	23.0 584
Trapezoid Angle	10 degrees per side	
Weights	pounds	kilograms
	Net Weight	149 67.8
	Shipping Weight	167 76

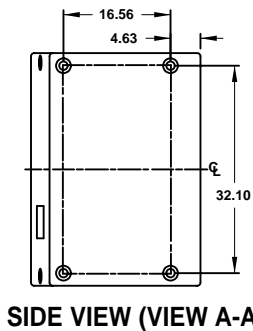
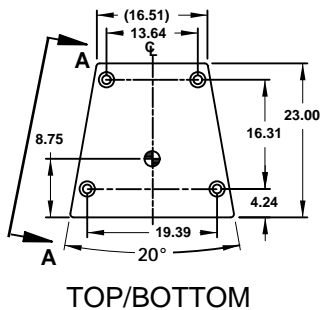
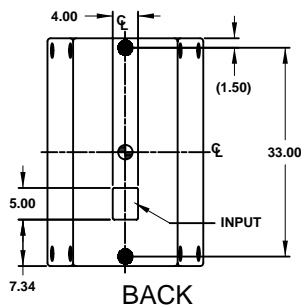
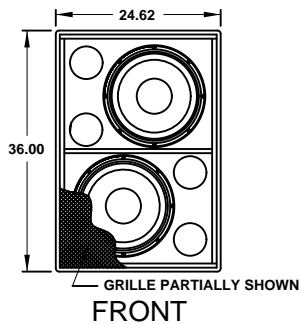




SPECIFICATIONS AS625e

DIMENSIONAL DRAWING

- ⊙ INDICATES MOUNTING POINT, 3/8-16 THREADED HOLE (PI ANGLE).
- INDICATES MOUNTING POINT, 3/8-16 THREADED HOLE (NUT PLATE).
- ⊕ SYMBOL INDICATES CENTER OF BALANCE.



A & E SPECIFICATIONS

The low frequency loudspeaker system shall incorporate 2x 15-in LF transducers that shall be mounted in a vented enclosure tuned for optimum LF response.

System frequency response shall vary no more than ± 3 dB from 57 to 500 Hz measured on axis. The system shall produce a Sound Pressure Level (SPL) of 100 dB SPL on axis at 1 meter with a power input of 1 Watt, and shall be capable of producing a peak output of 136 dB SPL on axis at 1 meter. The system shall handle 1200 Watts of amplifier power (continuous) and shall have a nominal impedance of 4 Ohms.

The loudspeaker enclosure shall be trapezoidal in shape. It shall be constructed of multi-ply, void-free, cross-grain-laminated, exterior grade, Baltic birch plywood and shall employ extensive internal bracing. It shall be finished in wear-resistant textured black paint. Input connector shall be 2-contact terminal strip. Eighteen (18) 3/8"-16 threaded mounting/suspension points (4 each top, bottom and sides, 2 on back) shall be provided. The front of the loudspeaker shall be covered with a powder coated perforated steel grille.

The low frequency loudspeaker shall be the EAW model AS625e.

509140 (0)
5/22/01

Manufacturing tolerances are +/- 0.13 and +/- 1°

