


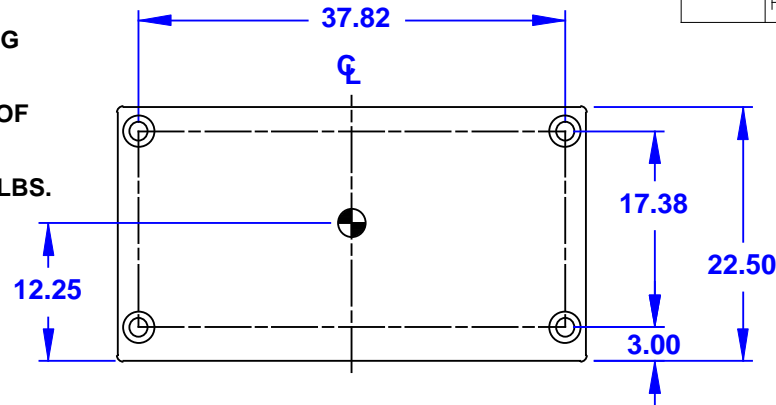


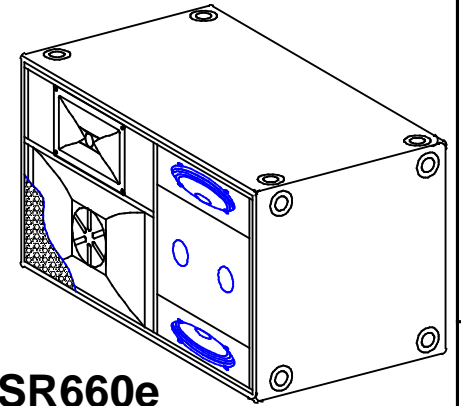
NOTES:

1. SYMBOL  INDICATES MOUNTING POINT, 3/8-16 THREADED HOLE (PI ANGLE).
2. SYMBOL  INDICATES MOUNTING POINT, 3/8-16 THREADED HOLE (NUT PLATE).
3. SYMBOL  INDICATES CENTER OF BALANCE.
4. WEIGHT APPROX. 169 LBS.
5. SHIPPING WEIGHT APPROX. 184 LBS.

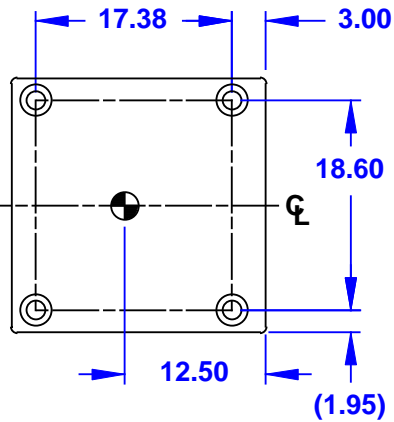
REV	DESCRIPTION	APVD/DATE
0	UPGRADE TO PRODUCTION PER DSR 01-432 MFL 5/10/01	MFL 5/11/01



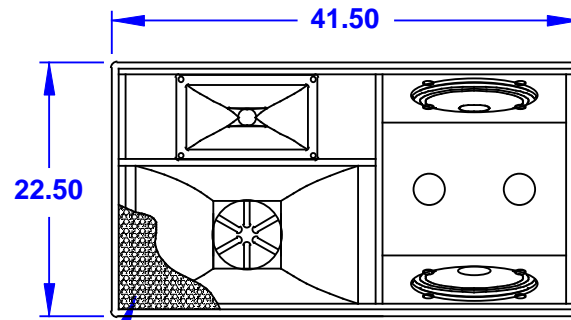
TOP/BOTTOM



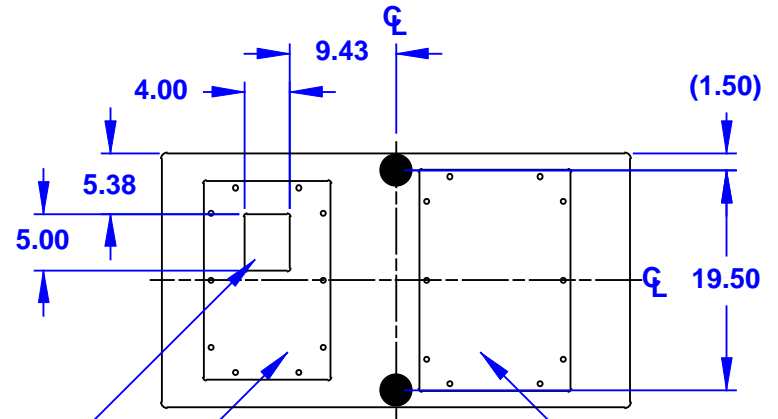
ASR660e



**LEFT SIDE
DIMENSIONS APPLY
TO BOTH SIDES**

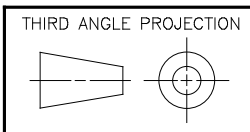


FRONT
GRILLE PARTIALLY SHOWN



BACK
ACCESS PANELS
INPUT

DOCUMENT CONTROL PER SPECIFICATION 4.5.201



THIS DRAWING IS THE PROPERTY OF EAW AND SHALL NOT BE COPIED, REPRODUCED, OR USED AS THE BASIS FOR MANUFACTURE OR SALE OF APPARATUS WITHOUT WRITTEN AUTHORIZATION. DO NOT SCALE DRAWING.

UNLESS OTHERWISE SPECIFIED:
ALL DIMENSIONS ARE IN INCHES
TOLERANCE IN INCHES
.XX ± .13
ANGLES ±1°

(X.XX) = REF DIMS
NO TOLERANCE IMPLIED
T.S.C.=THEORETICAL SHARP CORNER
DIMENSIONS ACROSS CENTERLINES
TO BE SYMMETRICAL

STATUS: PRODUCTION	
APPROVALS	DATE
DRAWN: RAS	2/14/01
CHECKED: MFL	5/11/01
DES ENG: NB	5/14/01
MFG ENG: DBD	5/18/01

EAW EASTERN ACOUSTIC WORKS
ONE MAIN STREET
WHITINSVILLE, MA 01588 USA

TITLE: CABINET/FINISHED/BLACK/
ASR660e
[MECHANICAL SPECIFICATION]

A	SHEET 1 OF 1	SCALE: 1 TO 14
DRAWING NUMBER: 509136		REVISION: 0