


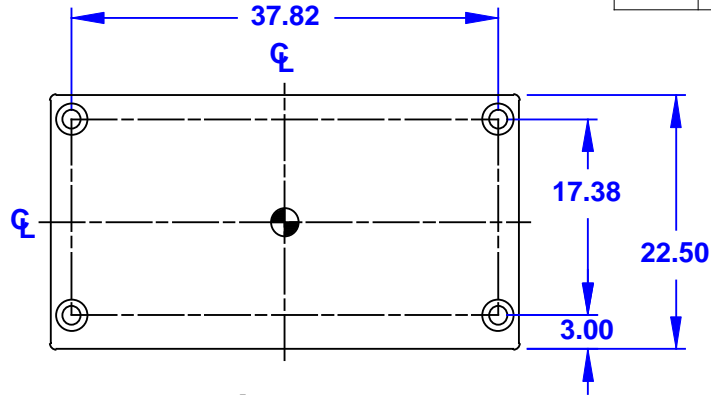


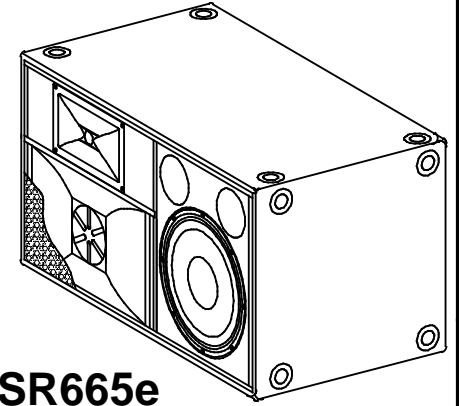
NOTES:

1. SYMBOL  INDICATES MOUNTING POINT, 3/8-16 THREADED HOLE (PI ANGLE).
2. SYMBOL  INDICATES MOUNTING POINT, 3/8-16 THREADED HOLE (NUT PLATE).
3. SYMBOL  INDICATES CENTER OF BALANCE.
4. WEIGHT APPROX. 162 LBS.
5. SHIPPING WEIGHT APPROX. 177 LBS.

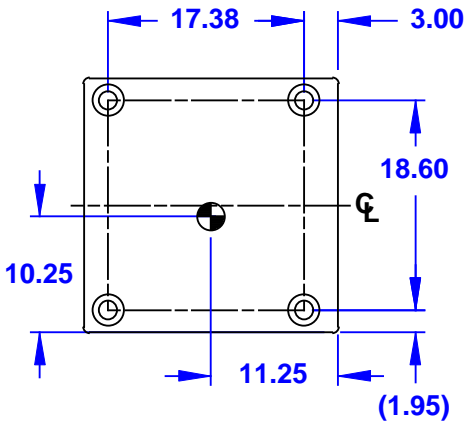
REV	DESCRIPTION	APVD/DATE
0	UPGRADE TO PRODUCTION PER DSR 01-434 MFL 5/10/01	MFL 5/11/01



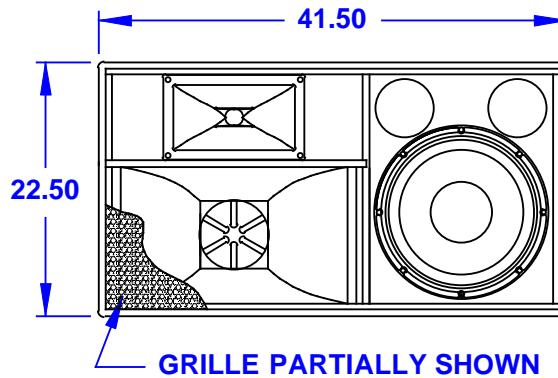
TOP/BOTTOM



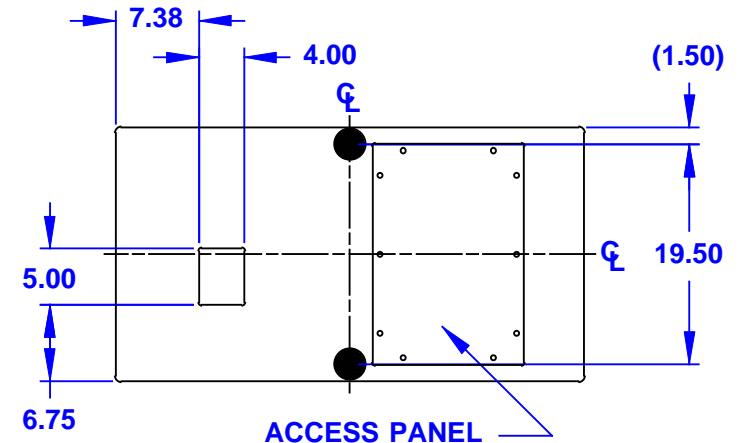
ASR665e



LEFT SIDE
DIMENSIONS APPLY TO BOTH SIDES

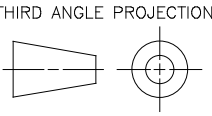



FRONT



BACK

DOCUMENT CONTROL PER SPECIFICATION 4.5.201

	UNLESS OTHERWISE SPECIFIED: ALL DIMENSIONS ARE IN INCHES TOLERANCE IN INCHES .XX ± .13 ANGLES ±1° (X.XX) = REF DIMS NO TOLERANCE IMPLIED T.S.C.=THEORETICAL SHARP CORNER DIMENSIONS ACROSS CENTERLINES TO BE SYMMETRICAL	STATUS: PRODUCTION		 EASTERN ACOUSTIC WORKS ONE MAIN STREET WHITINSVILLE, MA 01588 USA
		APPROVALS	DATE	
THIS DRAWING IS THE PROPERTY OF EAW AND SHALL NOT BE COPIED, REPRODUCED, OR USED AS THE BASIS FOR MANUFACTURE OR SALE OF APPARATUS WITHOUT WRITTEN AUTHORIZATION. DO NOT SCALE DRAWING.		DRAWN: RAS	2/14/01	SHEET 1 OF 1 SCALE: 1 TO 14
		CHECKED: MFL	5/11/01	
		DES ENG: NB	5/14/01	DRAWING NUMBER: 509135 REVISION: 0
MFG ENG: DBD	5/18/01			