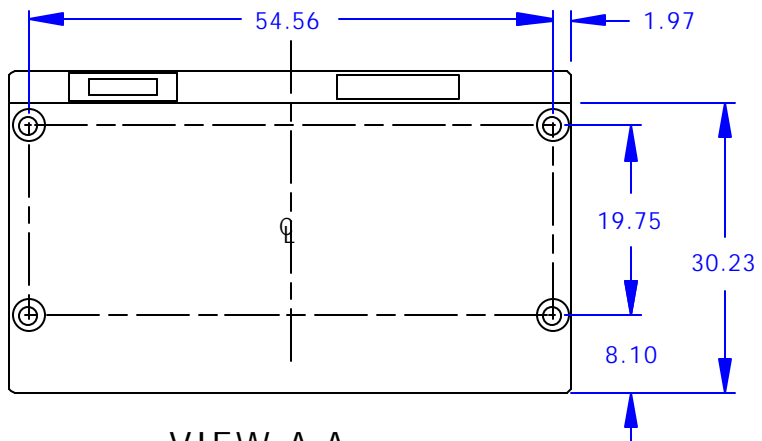
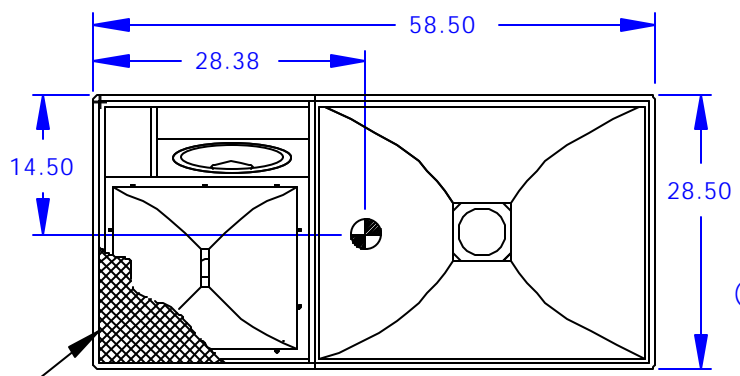


REV	DESCRIPTION	APPROVED
0	NEW ISSUE PER DSR 98-375 JRM 10/23/98	KH 11/11/98



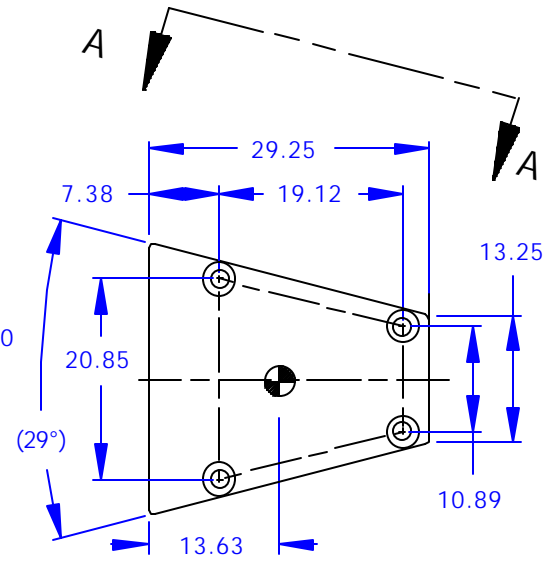
**VIEW A-A**  
VIEW ROTATED 90° CCW  
DIMENSIONS APPLY  
TO TOP AND BOTTOM

- NOTES:
1. SYMBOL INDICATES 3/8-16 THREADED HOLE
  2. SYMBOL INDICATES CENTER OF BALANCE.
  3. WEIGHT APPROX: 236 LBS.
  4. SHIPPING WEIGHT APPROX: 256 LBS.
  5. DIMENSIONS ACROSS CENTERLINES TO BE SYMMETRICAL.

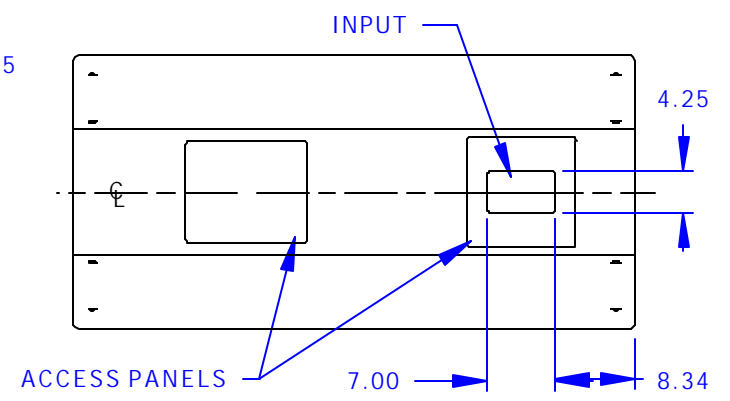


GRILL PARTIALLY SHOWN

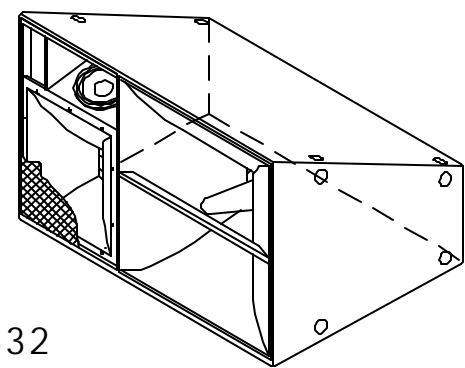
**FRONT**



**RIGHT SIDE**  
DIMENSIONS APPLY  
TO BOTH SIDES



**BACK**



ASV7632

UNLESS OTHERWISE SPECIFIED: ALL DIMENSIONS ARE IN INCHES	APPROVAL / DATE		EASTERN ACOUSTIC WORKS <small>ONE MAIN STREET WHITINSVILLE, MASSACHUSETTS 01568 USA</small>	
	TOLERANCE IN INCHES	DRAWN: JRM		
	CHECKED: KFH	11/11/98	CABINET/FINISHED/BLACK-ASV7632 [MANUFACTURING SPECIFICATIONS]	
<small>XX-13</small> THIS DRAWING IS THE PROPERTY OF EAW AND SHALL NOT BE COPIED, REPRODUCED, OR USED AS THE BASIS FOR MANUFACTURE OR SALE OF APPARATUS WITHOUT WRITTEN AUTHORIZATION. DO NOT SCALE DRAWING.	DES ENG: JR	11/12/98	SHEET 1 OF 1	SCALE: 1 TO 20
	MFG ENG: CAC	11/12/98	DWG NO: 510314	REV 0