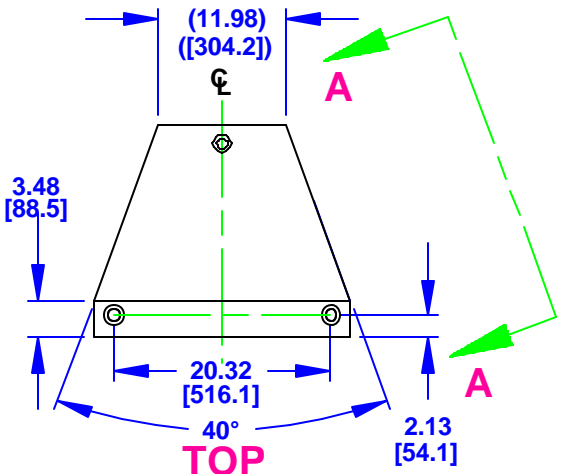
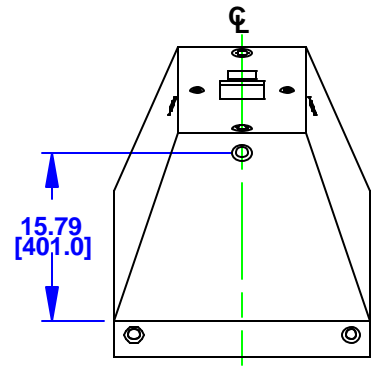


REV	DESCRIPTION	APVD/DATE
1	NEW ISSUE PER DSRWHT5399 REF DSR 04-1028 JAB 10/8/04	RS 2/14/05



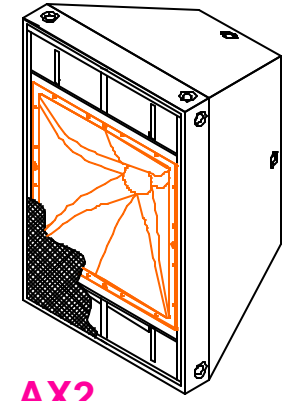
TOP
DIMENSIONS APPLY TO TOP AND BOTTOM



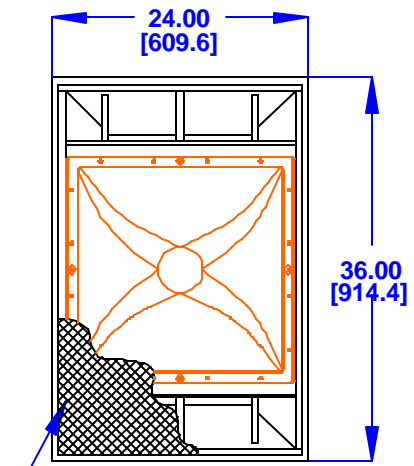
VIEW B-B

NOTES:
1. SYMBOL \odot INDICATES MOUNTING POINT, 3/8-16 THREADED HOLE (PI ANGLE).

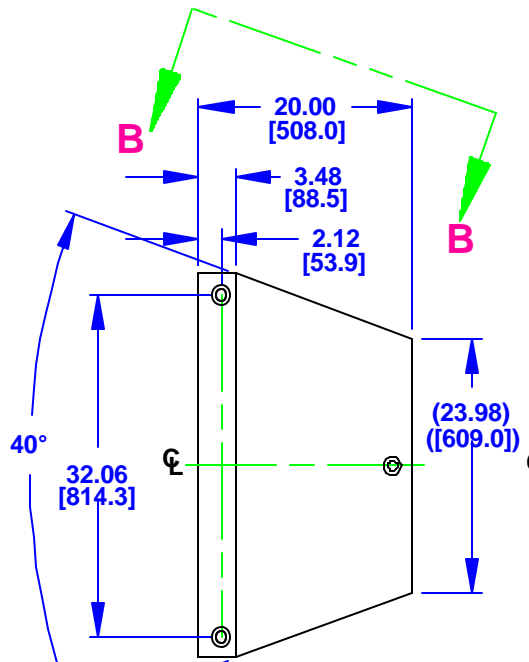
DRAWING NO.	DESCRIPTION
0013595-44	CABINET/FINISHED/BLACK/AX244
0013595-64	CABINET/FINISHED/BLACK/AX264
0013595-66	CABINET/FINISHED/BLACK/AX266
0013595-96	CABINET/FINISHED/BLACK/AX296



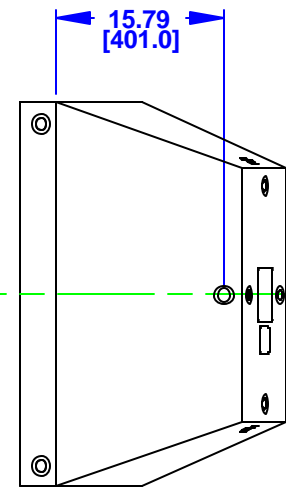
AX2



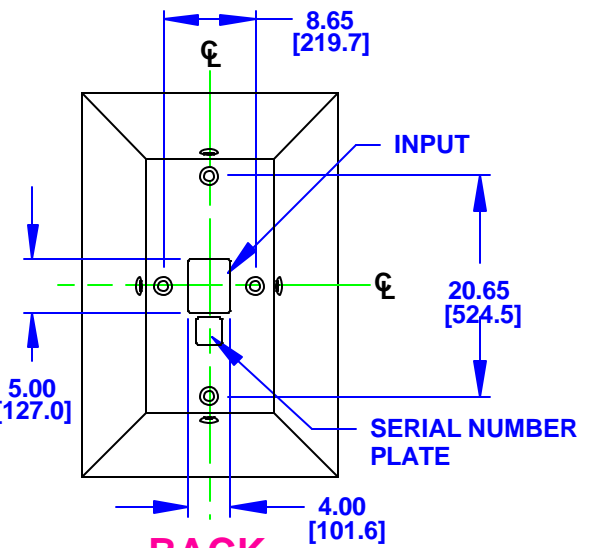
FRONT
GRILLE PARTIALLY SHOWN



RIGHT SIDE
DIMENSIONS APPLY TO BOTH SIDES



VIEW A-A



BACK

DOCUMENT CONTROL PER SPECIFICATION 4.5.201

	<p>UNLESS OTHERWISE SPECIFIED: ALL DIMENSIONS ARE INCHES [MILLIMETERS]</p> <p>TOLERANCES LINEAR ± 0.13 in / ± 3.3 mm ANGLES $\pm 1^\circ$</p> <p>(X.XX) = REF DIMS NO TOLERANCE IMPLIED</p> <p>TSC=THEORETICAL SHARP CORNER DIMENSIONS ACROSS CENTERLINES TO BE SYMMETRICAL</p>	<p>STATUS: PROTOTYPE</p>		EASTERN ACOUSTIC WORKS ONE MAIN STREET WHITINSVILLE, MA 01568 USA
		<p>APPROVALS</p>	<p>DATE</p>	
<p>THIS DRAWING IS THE PROPERTY OF EAW AND SHALL NOT BE COPIED, REPRODUCED, OR USED AS THE BASIS FOR MANUFACTURE OR SALE OF APPARATUS WITHOUT WRITTEN AUTHORIZATION. DO NOT SCALE DRAWING.</p>		<p>DRAWN: J BRADLEY</p>	<p>10/8/04</p>	<p>SHEET 1 OF 1</p>
		<p>CHECKED:</p>		<p>SCALE: 1 TO 18</p>
		<p>DES ENG:</p>		<p>DRAWING NUMBER: 0013595</p>
		<p>MFG ENG:</p>		<p>REVISION: 1</p>