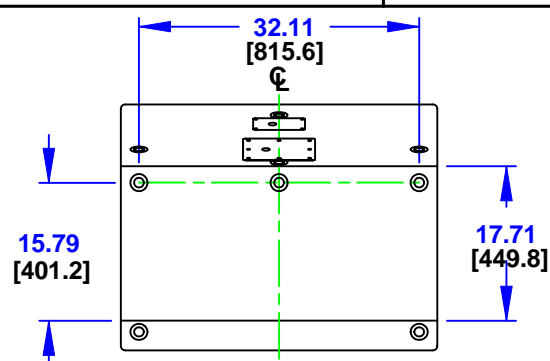
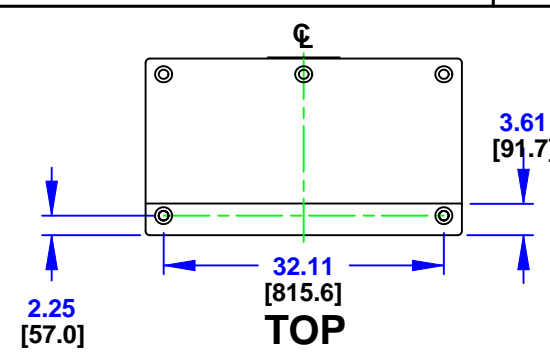
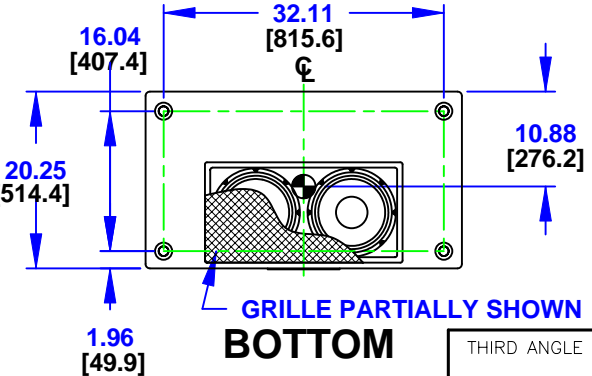
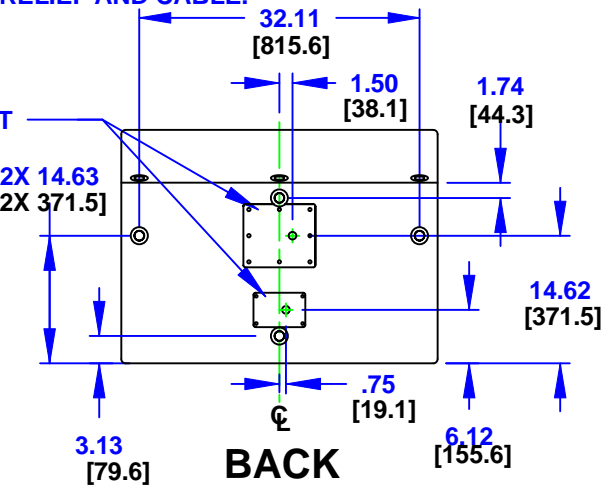
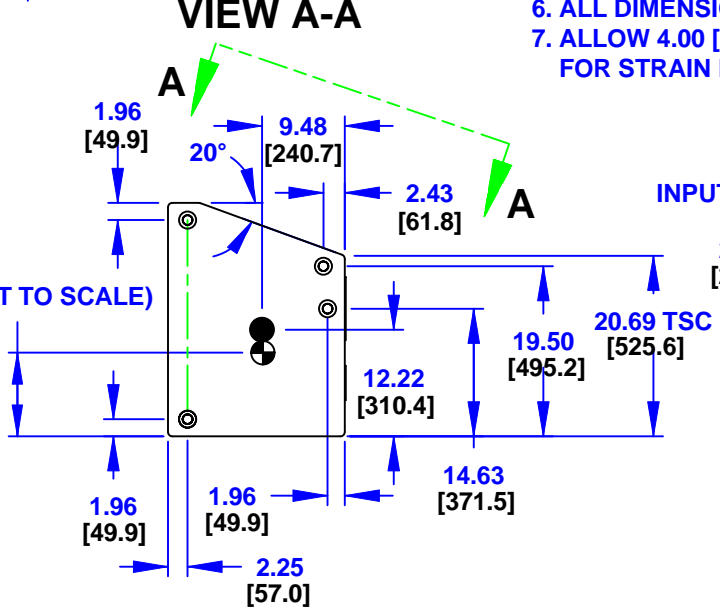
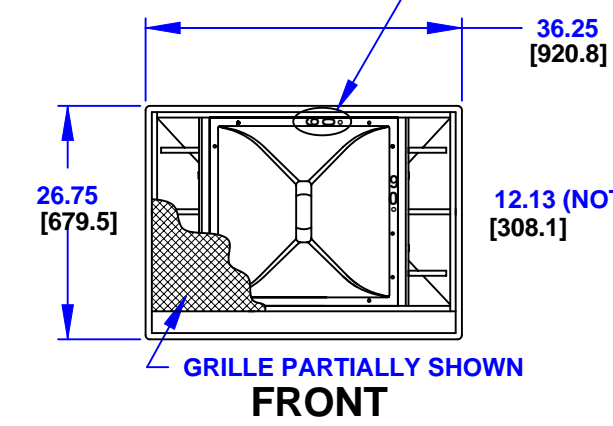


REV	DESCRIPTION	APVD/DATE
A	NEW ISSUE PER DSRWHT9170 JRM/DM 3/18/08	SEE AGILE

- NOTES:**
1. SYMBOL INDICATES MOUNTING POINT, 3/8-16 THREADED HOLE (PI ANGLE)
 2. SYMBOL INDICATES MOUNTING POINT, 3/8-16 THREADED HOLE (NUT PLATE)
 3. SYMBOL INDICATES CENTER OF BALANCE.
 4. WEIGHT APPROX. 192 lb [87.1 kg].
 5. SHIPPING WEIGHT APPROX. 217 [98.4 kg].
 6. ALL DIMENSIONS AFTER WEATHERPROOFING.
 7. ALLOW 4.00 [101.6] CLEARANCE BEHIND CABINET FOR STRAIN RELIEF AND CABLE.



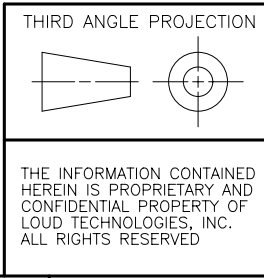
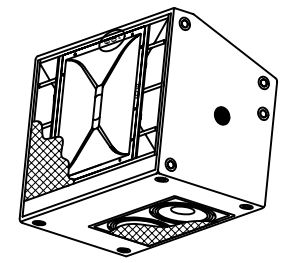
HORN ORIENTATION LABEL.
REFERENCE CHART FOR ANGLE MARKING
TO APPEAR IN THIS LOCATION



RIGHT SIDE
DIMENSIONS APPLY TO BOTH SIDES

MODEL	HORN ORIENTATION LABEL	COVERAGE
AX396-210-WP	60° AT TOP	90° H x 60° V
AX364-210-WP	45° AT TOP	60° H x 45° V
AX344-210-WP	EITHER 45° AT TOP	45° H x 45° V

AX3 210 WP



UNLESS OTHERWISE SPECIFIED:
ALL DIMENSIONS ARE INCHES
[MILLIMETERS]

TOLERANCES
LINEAR ± 0.13 in/ ± 3.3 mm
ANGLES ± 1°

(X.XX) = REF DIMS
NO TOLERANCE IMPLIED

TSC=THEORETICAL SHARP CORNER
DIMENSIONS ACROSS CENTERLINES
TO BE SYMMETRICAL

STATUS: PRODUCTION	
APPROVALS	DATE
DRAWN: J. MORRISON	11/30/07
CHECKED: SEE AGILE	N/A
DES ENG: SEE AGILE	N/A
MFG ENG: SEE AGILE	N/A

LOUD Technologies Inc.
ONE MAIN STREET WHITINSVILLE, MA 01588 USA

TITLE:
DWG CUSTOMER AX3 210 WP
[MECHANICAL SPECIFICATION]

A SHEET 1 OF 1 SCALE: 1 TO 22

DRAWING NUMBER: 0028994-CD REVISION: A

THE INFORMATION CONTAINED
HEREIN IS PROPRIETARY AND
CONFIDENTIAL PROPERTY OF
LOUD TECHNOLOGIES, INC.
ALL RIGHTS RESERVED