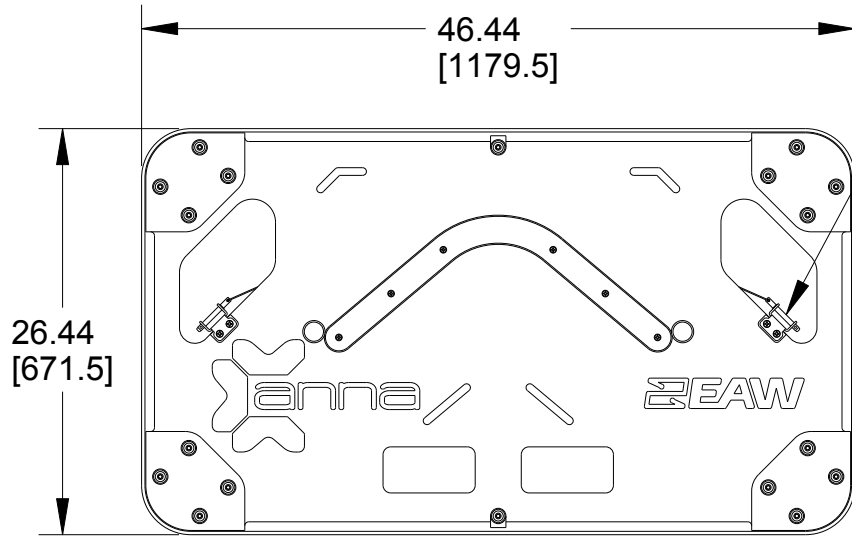


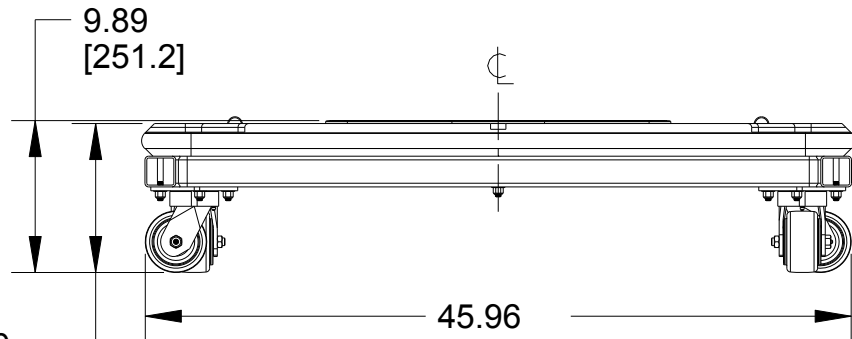
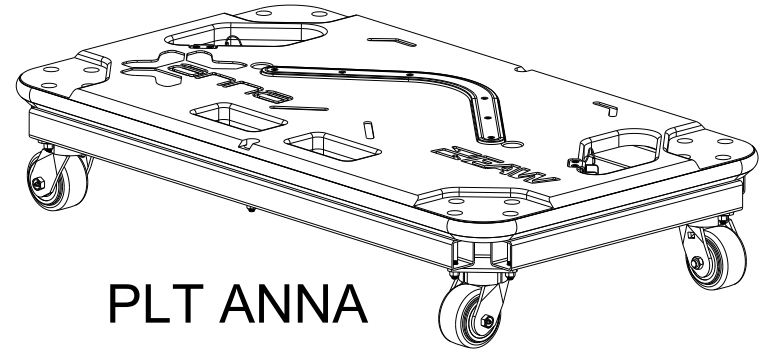
NOTES:

1. WEIGHT APPROX. 110lbs[49.9kg]

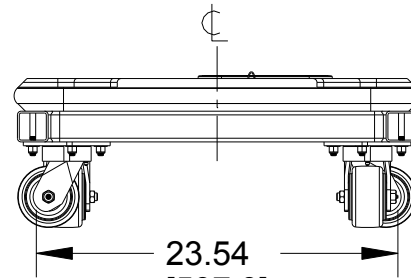
REV	DESCRIPTION
A	NEW ISSUE PER ECOWH11085 JMF 11/25/15



TOP



FRONT



SIDE

<p>THIRD ANGLE PROJECTION</p>	<p>UNLESS OTHERWISE SPECIFIED: ALL DIMENSIONS ARE IN INCHES DUAL [MM] DIMENSIONS FOR REF ONLY</p> <p>TOLERANCE IN INCHES X.X ± .1 X.XX ± .03 X.XXX ± .010 FRACTIONS ± 1/32 ANGLES ± 1/2°</p> <p>(X.XX) = REF DIMS NO TOLERANCE IMPLIED</p> <p>TSC = THEORETICAL SHARP CORNER</p> <p>DIMENSIONS ACROSS CENTERLINES TO BE SYMMETRICAL</p>	<p>REVISION CONTROL FOR THIS DOCUMENT IS MAINTAINED IN LOUD TECHNOLOGIES' PRODUCT LIFECYCLE MANAGEMENT APPLICATION.</p> <p>ALL APPROVAL INFORMATION IS RECORDED ELECTRONICALLY</p>	<p>2EAW EASTERN ACOUSTIC WORKS ONE MAIN STREET WHITINSVILLE, MA 01588 USA</p>	
			<p>TITLE: DWG CUSTOMER CASTER PALLET ANNA [MECHANICAL SPECIFICATION]</p>	
<p>THE INFORMATION CONTAINED HEREIN IS PROPRIETARY AND CONFIDENTIAL PROPERTY OF LOUD TECHNOLOGIES, INC. ALL RIGHTS RESERVED</p>	<p>DRAWN BY: JMF</p>		<p>A SHEET 1 OF 1</p>	<p>SCALE: 0.080</p>
	<p>DATE: 11/25/15</p>			