
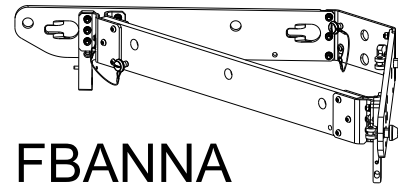


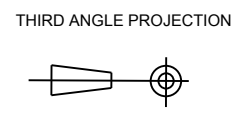
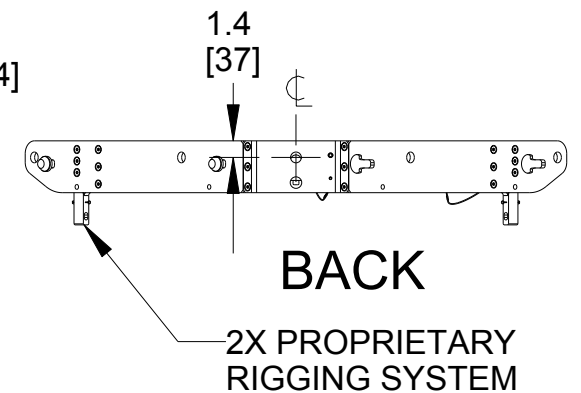
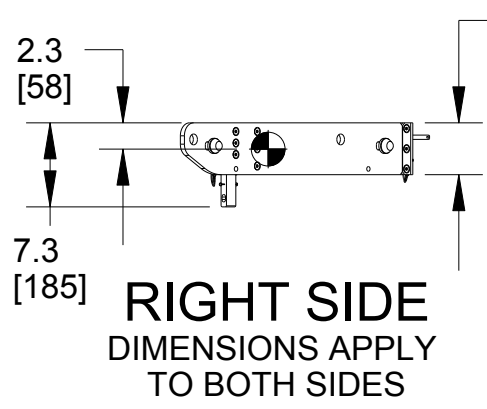
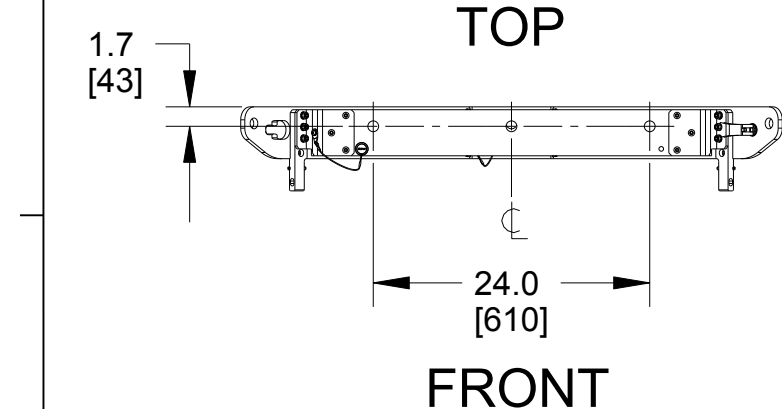
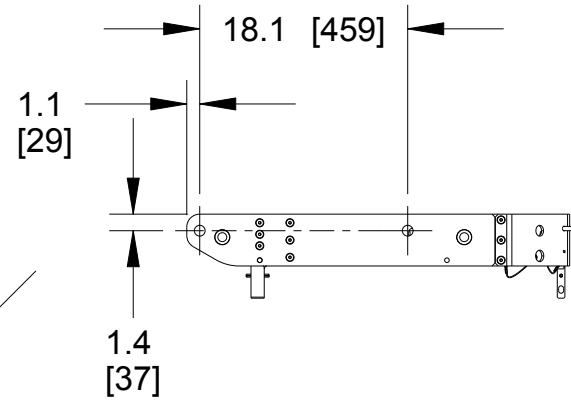
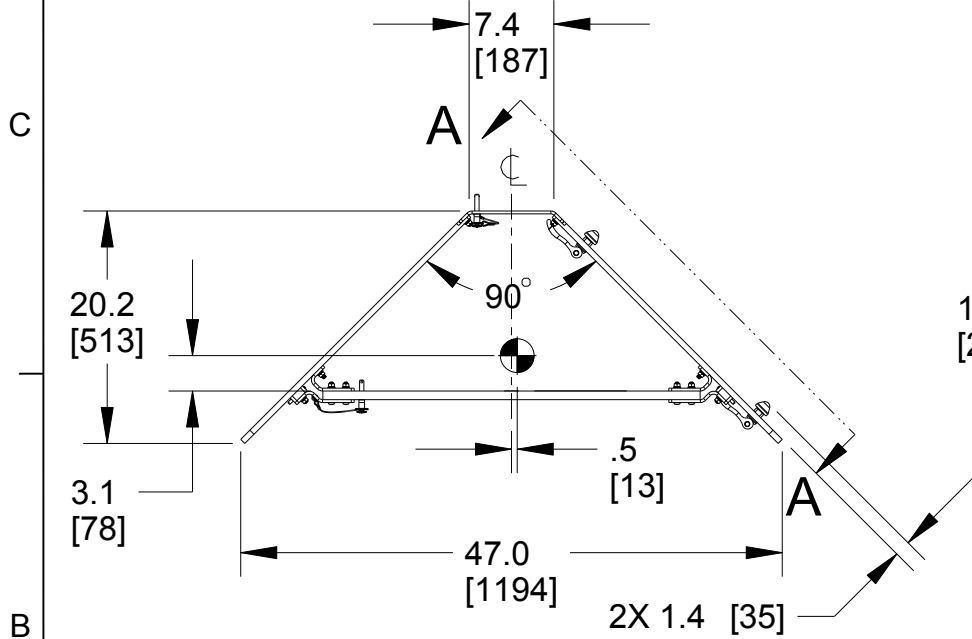
NOTES:

1. SYMBOL  INDICATES CENTER OF BALANCE.
2. WEIGHT APPROX. 75 lb [34.0 kg]

REV	CHANGE NUMBER	DATE
A	ECOWH10867	9/24/15



FBANNA



THE INFORMATION CONTAINED HEREIN IS PROPRIETARY AND CONFIDENTIAL PROPERTY OF LOUD TECHNOLOGIES, INC. ALL RIGHTS RESERVED

UNLESS OTHERWISE SPECIFIED: ALL DIMENSIONS ARE IN INCHES DUAL [MM] DIMENSIONS FOR REF ONLY

TOLERANCE IN INCHES
LINEAR ± 0.13 in / ± 3.3 mm
ANGLES ± 1°

(X.XX) = REF DIMS
NO TOLERANCE IMPLIED

TSC = THEORETICAL SHARP CORNER

DIMENSIONS ACROSS CENTERLINES TO BE SYMMETRICAL

EAW www.eaw.com

TITLE:
DWG CUSTOMER FBANNA

A	SHEET 1 OF 1	SCALE: 0.060
----------	--------------	-----------------

DRAWING NUMBER: 2046885-CD	REVISION: A
--------------------------------------	-----------------------