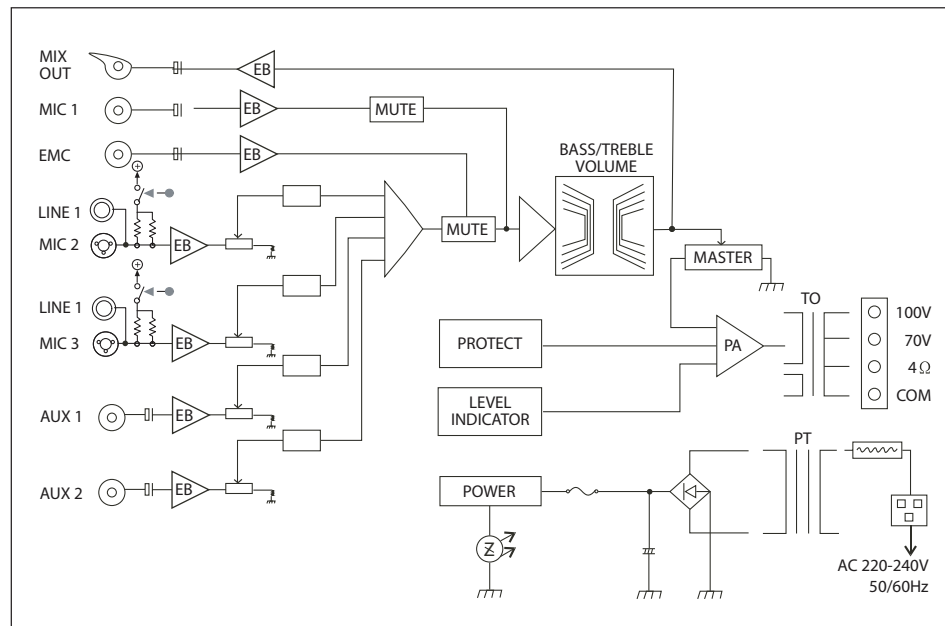


SPECIFICATIONS

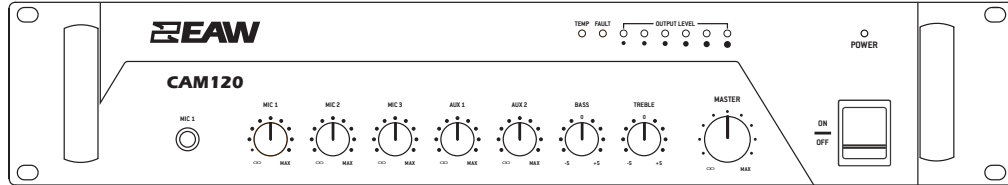
Model:	CAM120	T.H.D.:	Less than 0.5% at 1KHz, 1/3 rated power
Rated Power Output:	120W	Crosstalk:	Less or equal to 50dB
Speaker Outputs:	4~16 Ohms, 70/100V	Muting Function:	MIC 1 Priority overrides other input signals with 0~30dB attenuation
Input:	<ul style="list-style-type: none"> • MIC 1: 5mV/600 Ohms Unbalanced TRS input • MIC 2/3: 5mV/600 Ohms Unbalanced TRS/XLR input • MIC 2/3: LINE: 775mV/10K Ohms Unbalanced RCA input • AUX 1/2: 350mV/10K Ohms Unbalanced RCA input • EMC: 775mV/10K Ohms Unbalanced Input 	Controls:	Individual gain controls, power switch, EQ, master output levels
EQ:	Bass: +/-10dB at 100Hz Treble: +/-10dB at 10KHz	Cooling:	The built-in cooling fan automatically starts when the temperature inside power supply reaches 55° Celsius
Frequency Response:	50Hz~16KHz	Protection:	Overheating protection, short circuit protection and overcurrent protection
S/N ratio:	MIC 1, 2, 3: 66dB; AUX 1.2: 80dB	Power Requirements:	~220-240V 50/60Hz
		Power Consumption:	200W
		Net Weight:	9.3Kg
		Shipping:	11.3Kg
		Fuse:	3.15A L 250V

BLOCK DIAGRAM

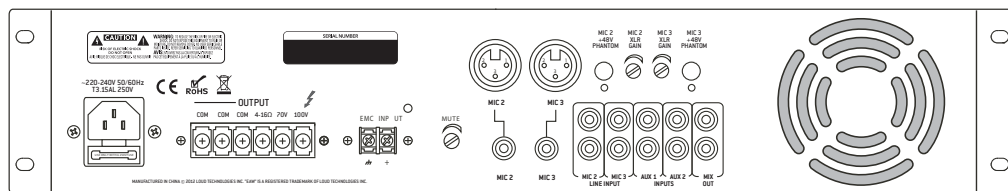


EAW CAM120 Specifications

FRONT



BACK



DIMENSIONS

