

REV	DESCRIPTION	APVD/DATE
1	ADDED VARIED PLACEMENT OF HF BOX PER ECO 3510 11/10/98 PSN	

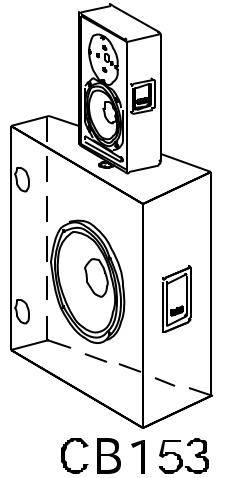
NOTES

1. DIMENSION IS 3.62 WHEN BRACKET IS MOUNTED ON BACK MOUNTING POINT. DIMENSION IS .12 WHEN BRACKET IS MOUNTED ON FRONT MOUNTING POINT.

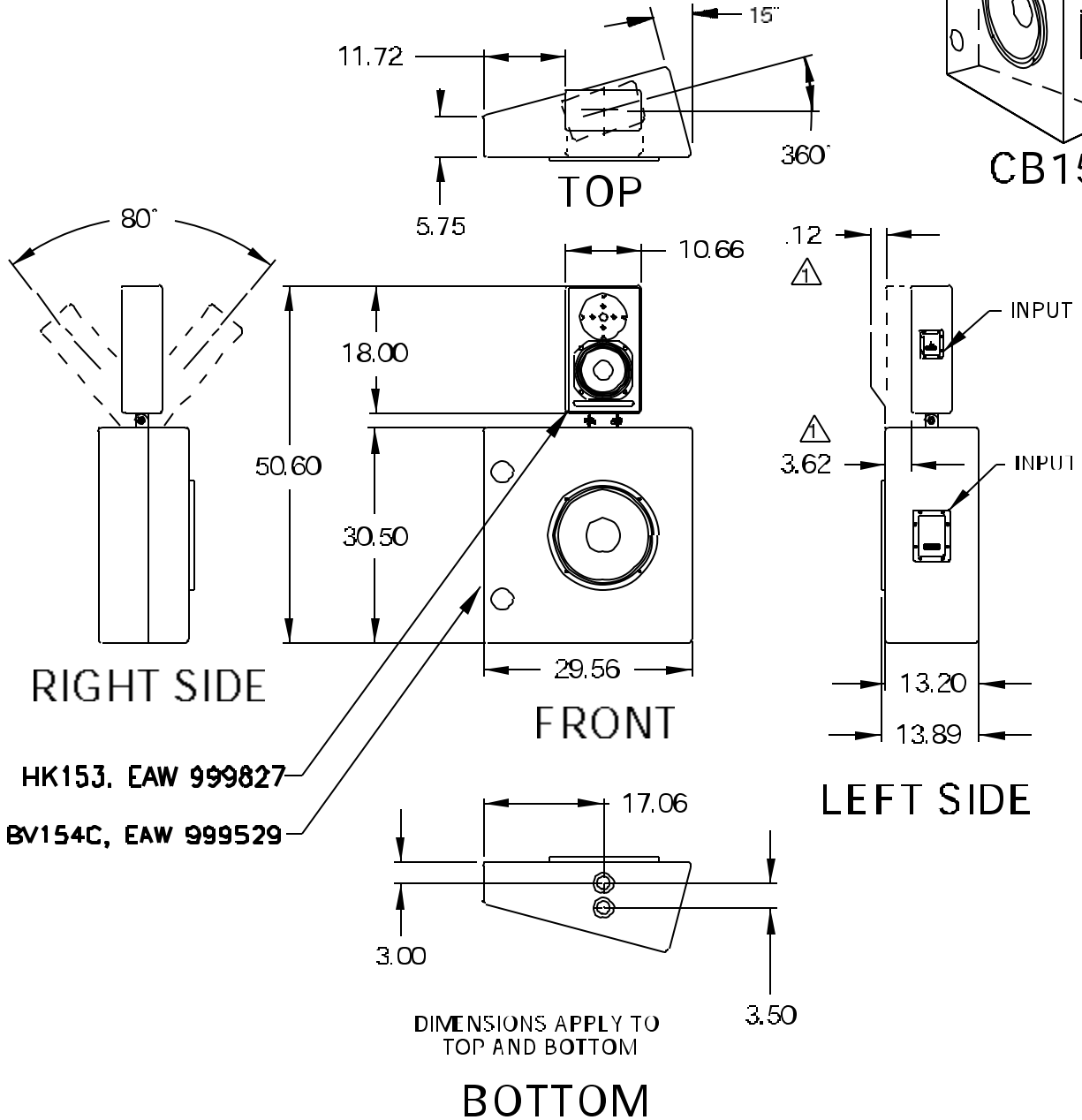
2. SYMBOL \odot INDICATES 3/8-16 THREADED HOLE F.

3. WEIGHT APPROX: 105 LBS.

4. SHIPPING WEIGHT APPROX: 120 LBS.



CB153



HK153, EAW 999827
 BV154C, EAW 999529

DIMENSIONS APPLY TO TOP AND BOTTOM

BOTTOM

DOCUMENT CONTROL PER SPECIFICATION 4.5.201

	UNLESS OTHERWISE SPECIFIED: ALL DIMENSIONS ARE IN INCHES TOLERANCE IN INCHES .XX ± .13 ANGLES ± 1° (X.XX) = REF DIMS NO TOLERANCE IMPLIED T.S.C. = THEORETICAL SHARP CORNER DIMENSIONS ACROSS CENTERLINES TO BE SYMMETRICAL	STATUS: PRODUCTION APPROVALS: RAS DATE: 10/5/98 CHECKED: KH DATE: 10/9/98 DES ENG: ZC DATE: 10/14/98 MFG ENG: CAC DATE: 11/2/98	EASTERN ACOUSTIC WORKS ONE MAIN STREET WHITINSVILLE, MA 01568 USA TITLE: CABINET/FINISHED/BLACK CB153 [MECHANICAL SPECIFICATION]
	THIS DRAWING IS THE PROPERTY OF EAW AND SHALL NOT BE COPIED, REPRODUCED, OR USED AS THE BASIS FOR MANUFACTURE OR SALE OF APPARATUS WITHOUT WRITTEN AUTHORIZATION. DO NOT SCALE DRAWING.	A SHEET 1 OF 1 SCALE: 1 TO 1 DRAWING NUMBER: 999828 REVISION: 1	