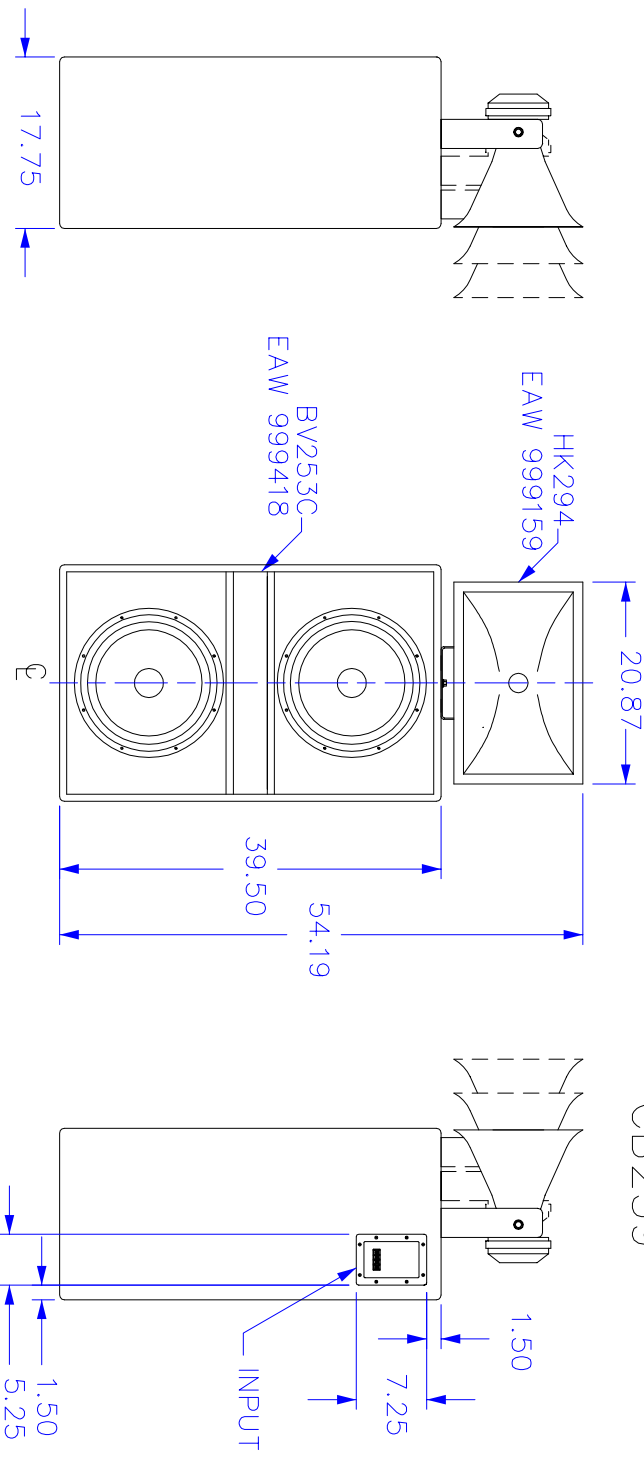
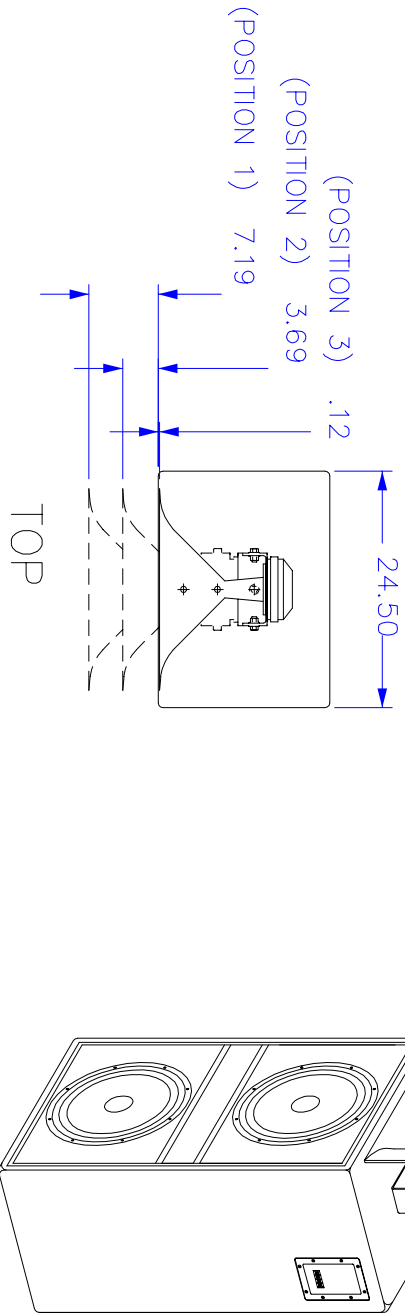


REV	DESCRIPTION	APVD/DATE
0	NEW ISSUE PER DSR 99-1278 MFL 9/24/99	KFH 10/21/99
A	ORACLE REVISION CONVERSION DRAWING WAS REV 0 PER ECO 5151 SS 7/2/01	ES 7/2/01

- NOTES:
- WEIGHT APPROX:
 - HK294 (999159): 27 LBS.
 - BV253C (999418): 129 LBS.
 - TOTAL: 156 LBS.
 - SHIPPING WEIGHT APPROX:
 - HK294 (999159): 30 LBS.
 - BV253C (999418): 135 LBS.
 - TOTAL (2 BOXES): 165 LBS.



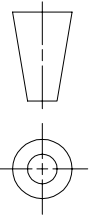
LEFT
SIDE

FRONT

RIGHT
SIDE

DOCUMENT CONTROL PER SPECIFICATION 4.5.201

THIRD ANGLE PROJECTION



THIS DRAWING IS THE PROPERTY OF EAW AND SHALL NOT BE COPIED, REPRODUCED, OR USED AS THE BASIS FOR MANUFACTURE OR SALE OF APPARATUS WITHOUT WRITTEN AUTHORIZATION. DO NOT SCALE DRAWING.

UNLESS OTHERWISE SPECIFIED:
ALL DIMENSIONS ARE IN INCHES
TOLERANCE IN INCHES
.XX ± .13
ANGLES ±1°

(XX) = REF DIMS
NO TOLERANCE IMPLIED
T.S.C. = THEORETICAL SHARP CORNER
DIMENSIONS ACROSS CENTERLINES
TO BE SYMMETRICAL

STATUS:	PRODUCTION	DATE	TITLE:
APPROVALS			SEAW EASTERN ACOUSTIC WORKS ONE MAIN STREET WHITINSVILLE, MA 01588 USA
DRAWN: MFL		9/24/99	CB259 BLACK [MECHANICAL SPECIFICATION]
CHECKED: KFH		10/21/99	
DES ENG: JRV		11/9/99	
MFG ENG: KRV		11/9/99	

DESIGNATION	DESCRIPTION	DATE	SCALE	REVISION
A	SHEET 1 OF 1		SCALE: 1 TO 20	REVISION: A
DRAWING NUMBER: 999265				

1

2

3

VELLUM