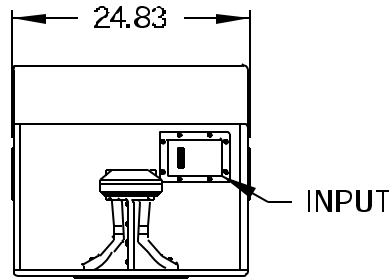


NOTES:

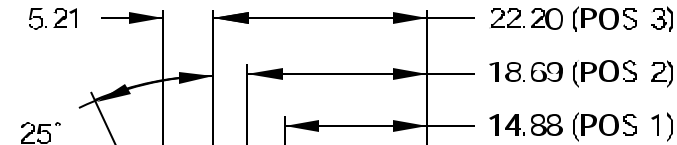
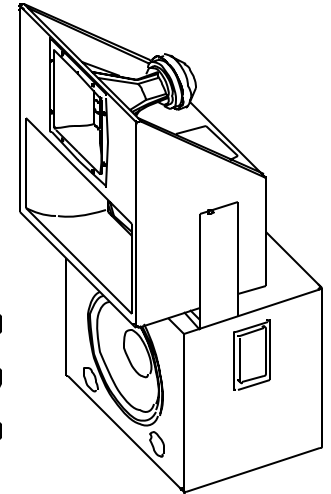
1. WEIGHT APPROX.:
 HK 523M (999826): 74 LBS
 BV 423 (997094): 58 LBS
 BRACKET (606098): 14 LBS
 TOTAL: 146 LBS
2. SHIPPING WEIGHT APPROX.:
 HK 523M (999826): 84 LBS
 BV 423 (997094): 68 LBS
 BRACKET (606098): 16 LBS
 TOTAL (3 BOXES): 168 LBS

REV	DESCRIPTION	APVD/DATE
	NEW ISSUE PER DSR 00-185 MFL 2/15/00	KFH 2/16/00

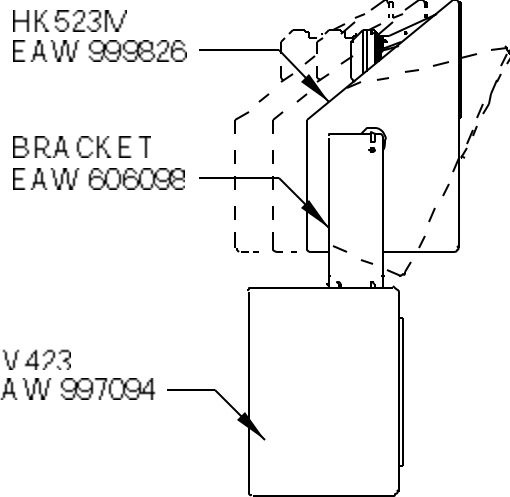


TOP

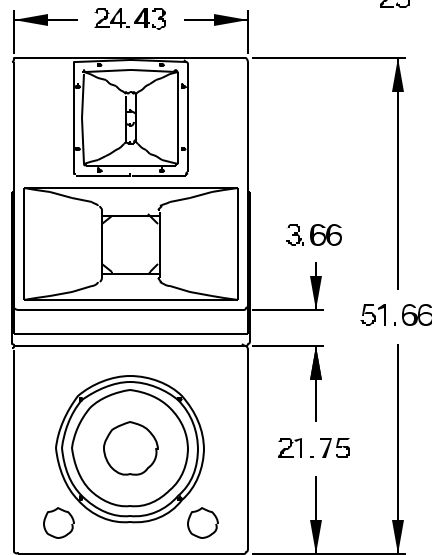
CB 423M



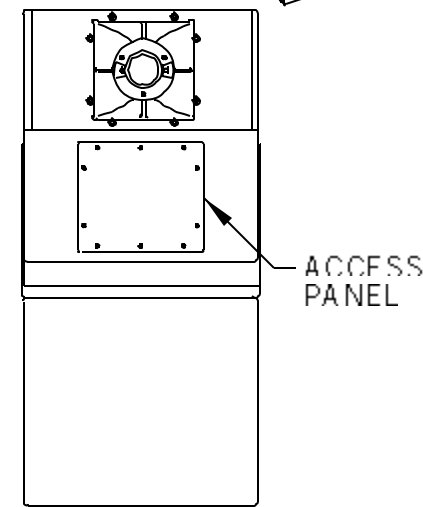
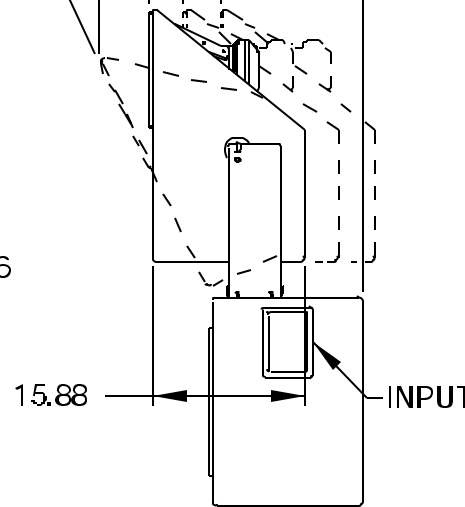
RIGHT SIDE



LEFT SIDE



FRONT



BACK

DOCUMENT CONTROL PER SPECIFICATION 4.5.201

<p>THIRD ANGLE PROJECTION</p>	<p>UNLESS OTHERWISE SPECIFIED: ALL DIMENSIONS ARE IN INCHES TOLERANCE IN INCHES XX ± .13 ANGLES ± 1'</p> <p>(XXX) = REF DIMS NO TOLERANCE IMPLIED</p> <p>T.S.C. - THEORETICAL SHARP CORNER</p> <p>DIMENSIONS ACROSS CENTERLINES TO BE SYMMETRICAL</p>	<p>STATUS: PRODUCTION</p>		<p>EAW EASTERN ACOUSTIC WORKS ONE MAIN STREET WHITINSVILLE, NA 07588 USA</p>	
		<p>DRAWN: MFL 2/16/00</p>	<p>DATE</p>	<p>TITLE: SYSTEM/CB423M [MECHANICAL SPECIFICATION]</p>	
<p>CHECKED: KFH 2/16/00</p>	<p>DES ENG: ZC 2/16/00</p>	<p>MFG ENG: CAC 2/16/00</p>	<p>A SHEET 1 OF 1</p>	<p>SCALE: 1 TO 20</p>	<p>REVISION: 0</p>

THIS DRAWING IS THE PROPERTY OF EAW AND SHALL NOT BE COPIED, REPRODUCED, OR USED AS THE BASIS FOR MANUFACTURE OR SALE OF APPARATUS WITHOUT WRITTEN AUTHORIZATION. DO NOT SCALE DRAWING.