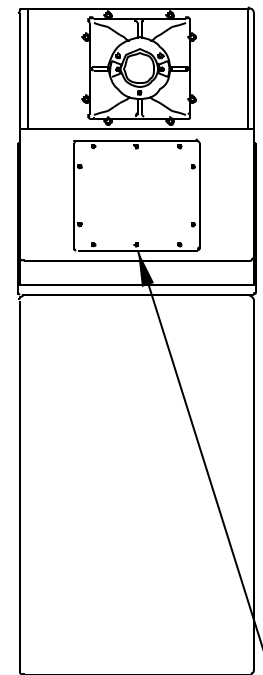
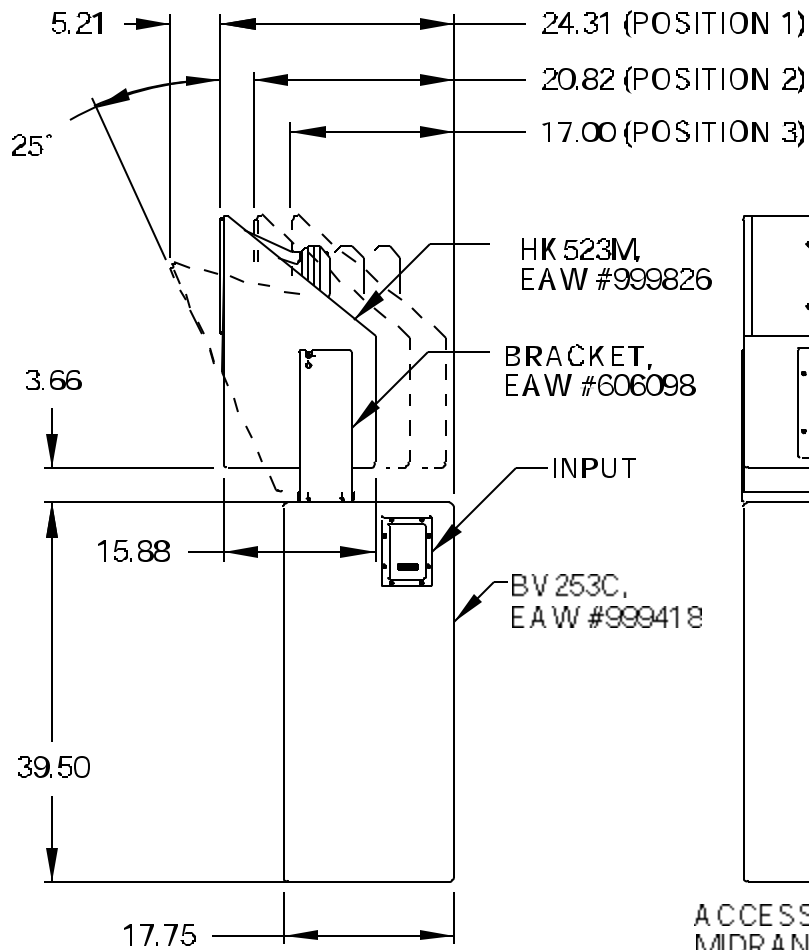
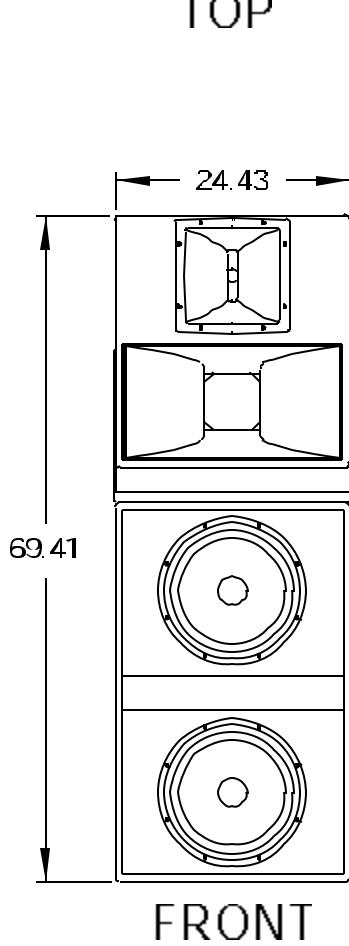
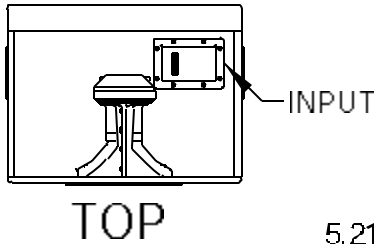
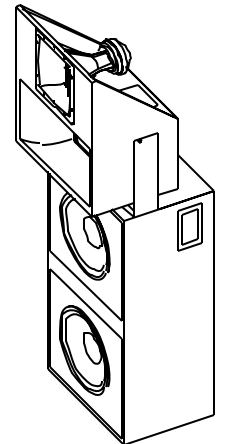


REV	DESCRIPTION	APVD/DATE
1	REVISED PER ECO #3515 PSN 11/13/98	

NOTES:

1. WEIGHT APPROX: 215 LBS
2. SHIPPING WEIGHT APPROX: 230 LBS.



CB 523M

ACCESS PANEL
MIDRANGE DRIVER

DOCUMENT CONTROL PER SPECIFICATION 4.5.201

	<p>UNLESS OTHERWISE SPECIFIED: ALL DIMENSIONS ARE IN INCHES</p> <p>TOLERANCE IN INCHES .XX ± .13 ANGLES ± 1°</p> <p>(X.XX) = REF DIMS NO TOLERANCE IMPLIED</p> <p>T.S.C.=THEORETICAL SHARP CORNER</p> <p>DIMENSIONS ACROSS CENTERLINES TO BE SYMMETRICAL</p>	<p>STATUS: PRODUCTION</p>		EASTERN ACOUSTIC WORKS ONE MAIN STREET WHITINSVILLE, MA 01568 USA			
		<p>APPROVALS</p> <p>DRAWN: JRM</p> <p>CHECKED: KH</p> <p>DES ENG: ZC</p> <p>MFG ENG: CAC</p>	<p>DATE</p> <p>10/05/98</p> <p>11/3/98</p> <p>11/3/98</p> <p>11/3/98</p>		<p>TITLE: CABINET/FINISHED/BLACK CB523M [MECHANICAL SPECIFICATION]</p>		
<p>THIS DRAWING IS THE PROPERTY OF EAW AND SHALL NOT BE COPIED, REPRODUCED, OR USED AS THE BASIS FOR MANUFACTURE OR SALE OF APPARATUS WITHOUT WRITTEN AUTHORIZATION. DO NOT SCALE DRAWING.</p>			<p>A</p>	<p>SHEET 1 OF 1</p>	<p>SCALE: 1 TO 20</p>	<p>DRAWING NUMBER: 999825</p>	<p>REVISION: 1</p>