

1 2 3 4 5 6

D

D

SCALE 0.1

C

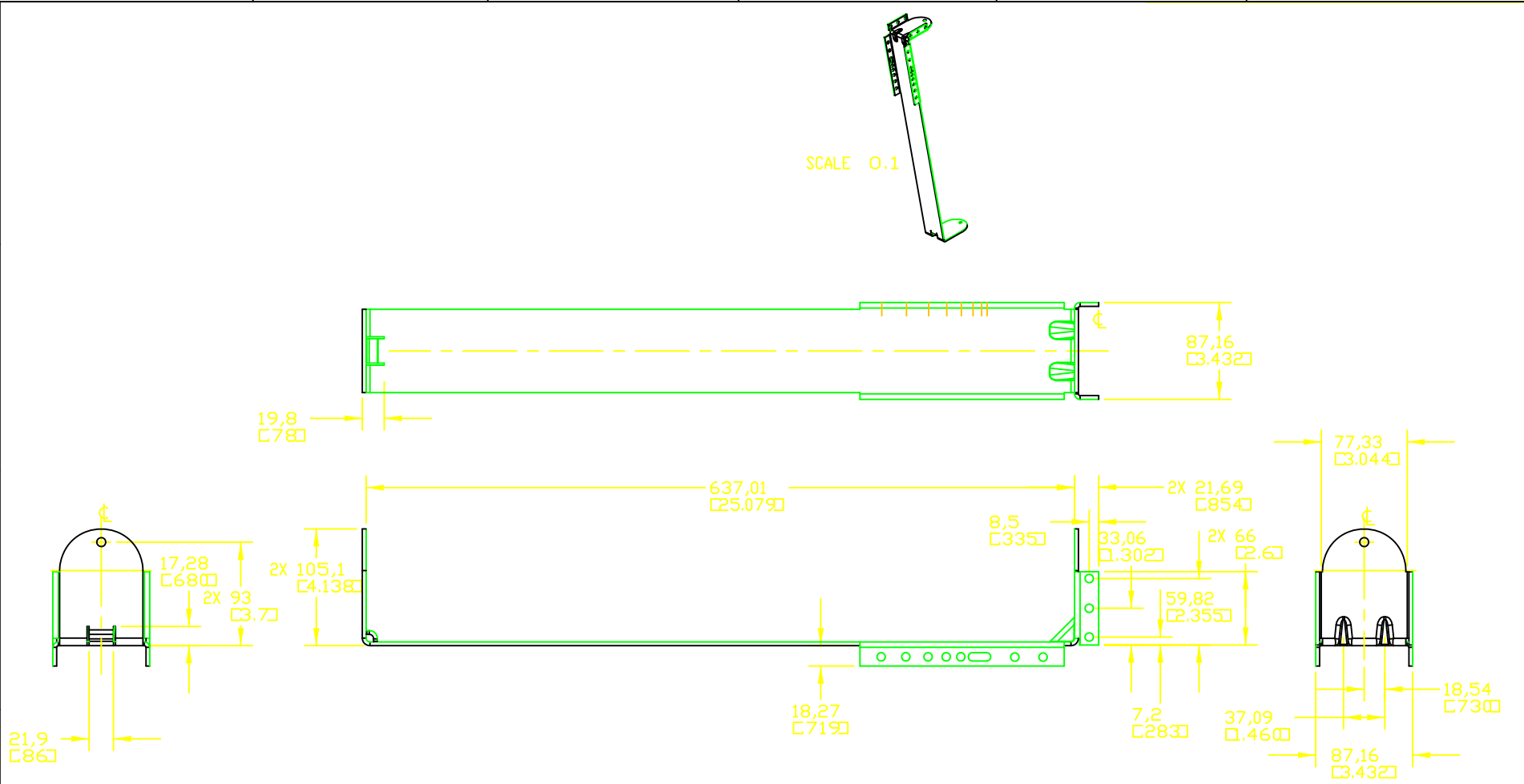
C

B

B

A

A



DOCUMENT CONTROL PER SPECIFICATION 4.5.201

<p>THIRD ANGLE PROJECTION</p>	<p>UNLESS OTHERWISE SPECIFIED ALL DIMENSIONS ARE IN MILLIMETERS</p> <p>TOLERANCE IN MILLIMETERS X ± 0.5 XX ± 0.25 ANGLES ± 1/2°</p> <p>Ø000 = REF DIMS NO TOLERANCE IMPLIED</p> <p>T.S.C. = THEORETICAL SHARP CORNER</p> <p>DIMENSIONS ACROSS CENTERLINES TO BE SYMMETRICAL</p>	<p>STATUS: PRODUCTION</p>		<p>EAW EASTERN ACOUSTIC WORKS ONE MAIN STREET WHITINSVILLE, VA 01580 USA</p>
		<p>APPROVALS</p>	<p>DATE</p>	
		<p>DRAWN: J. BRADLEY</p>	<p>3-10-04</p>	<p>BRACKET / FLY / CLA37</p>
		<p>CHECKED: R.S.</p>	<p>8/12/04</p>	
		<p>DES. ENG. J.N./T.W.</p>	<p>8/16/04</p>	
		<p>MFG. ENG. M.D.</p>	<p>8/16/04</p>	
<p>THIS DRAWING IS THE PROPERTY OF EAW AND SHALL NOT BE COPIED, REPRODUCED OR USED AS THE BASIS FOR MANUFACTURE OR SALE OF APPARATUS WITHOUT WRITTEN AUTHORIZATION. DO NOT SCALE DRAWING.</p>		<p>DRAWING NUMBER</p>	<p>SHEET 1 OF 2</p>	<p>SCALE: 0.1</p>
		<p>DRAWING NUMBER</p>	<p>0010470</p>	<p>REVISION</p>
				<p>PRO ENGINEER</p>

1 2 3 4 5 6