


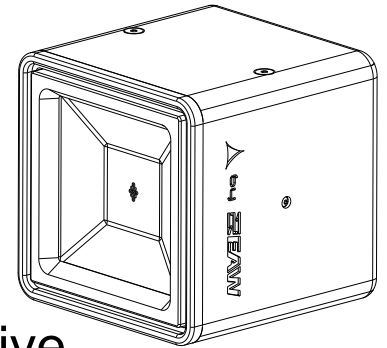


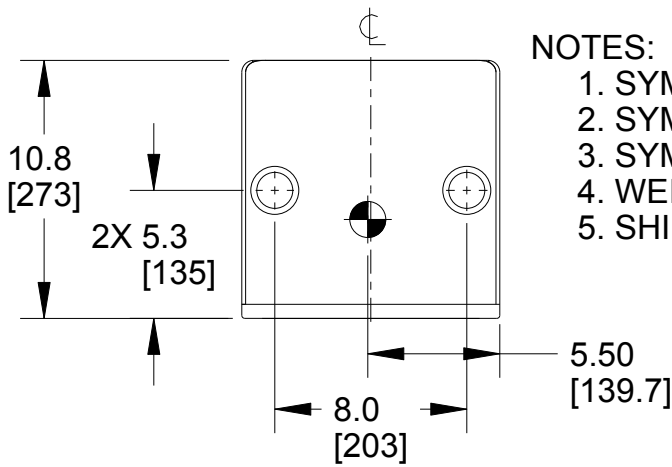
| REV | CHANGE NUMBER | DATE |
|-----|---------------|---------|
| A | ECOWHT8950 | 8/16/13 |

NOTES:

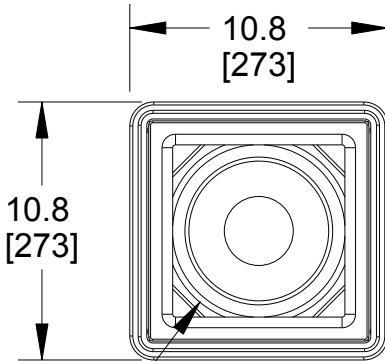
1. SYMBOL  INDICATES CENTER OF BALANCE.
2. SYMBOL  INDICATES M10 MOUNTING POINT.
3. SYMBOL  INDICATES M6 MOUNTING POINT.
4. WEIGHT APPROX. 22 lb [10 kg].
5. SHIPPING WEIGHT APPROX. 30 lb [13.6 kg].



CLUB.five

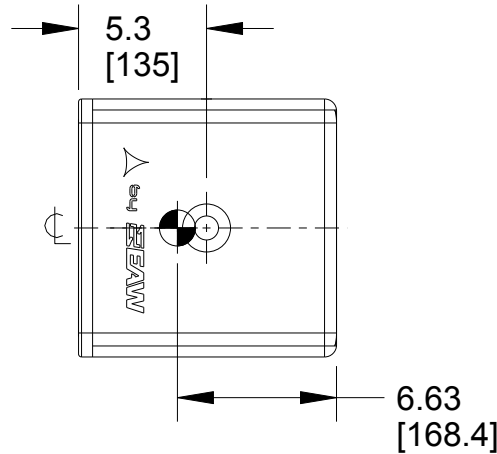


TOP

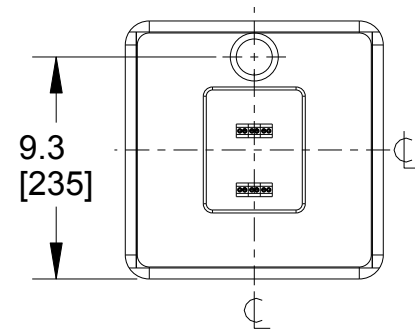


GRILLE NOT SHOWN FOR CLARITY

FRONT

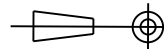


RIGHT SIDE



BACK

THIRD ANGLE PROJECTION



THE INFORMATION CONTAINED HEREIN IS PROPRIETARY AND CONFIDENTIAL PROPERTY OF LOUD TECHNOLOGIES, INC. ALL RIGHTS RESERVED

UNLESS OTHERWISE SPECIFIED: ALL DIMENSIONS ARE IN INCHES DUAL [MM] DIMENSIONS FOR REF ONLY

TOLERANCE IN INCHES
LINEAR ± 0.13 in / ± 3.3 mm
ANGLES $\pm 1^\circ$

(X.XX) = REF DIMS
NO TOLERANCE IMPLIED

TSC = THEORETICAL SHARP CORNER

DIMENSIONS ACROSS CENTERLINES TO BE SYMMETRICAL

EAW www.eaw.com

TITLE: DWG CUSTOMER CLUB.five [MECHANICAL SPECIFICATION]

A

SHEET 1 OF 1

SCALE: 0.125

DRAWING NUMBER:

2040440

REVISION:

A

PRO ENGINEER