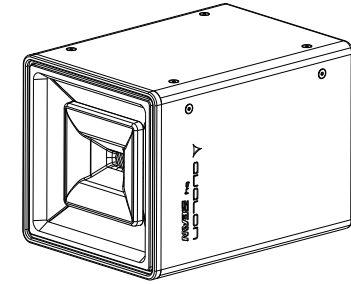
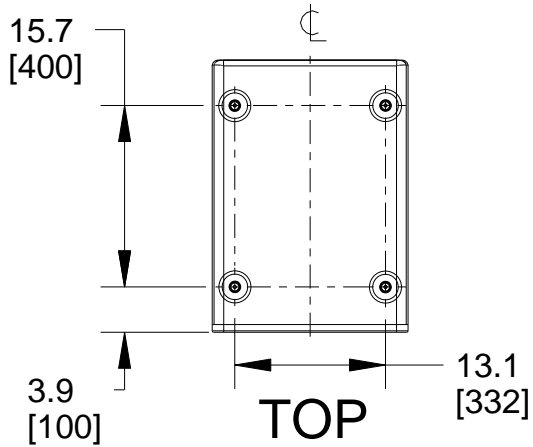
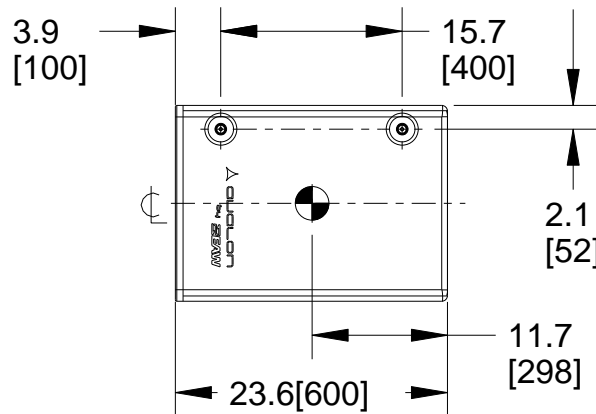
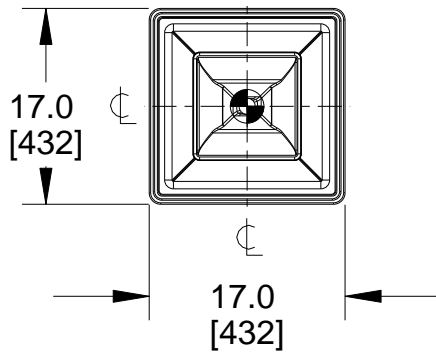


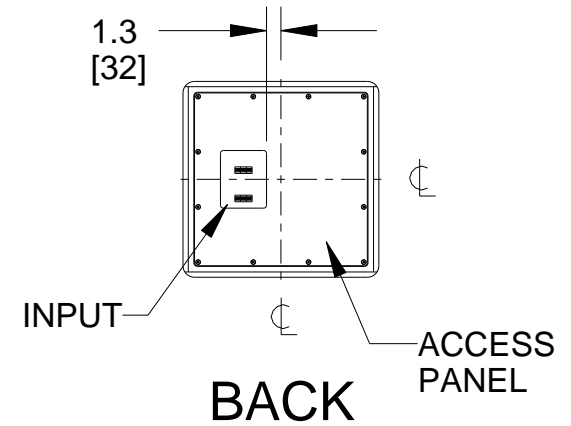
REV	CHANGE NUMBER	DATE
A	ECOWHT8635	5/18/12



CLUB.three



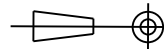
DIMENSIONS APPLY TO BOTH SIDES



NOTES:

1. SYMBOL INDICATES CENTER OF BALANCE.
2. SYMBOL INDICATES M10 MOUNTING POINT.
3. WEIGHT APPROX. 91 lb [41 kg].
4. SHIPPING WEIGHT APPROX. 97 lb [44 kg].

THIRD ANGLE PROJECTION



THE INFORMATION CONTAINED HEREIN IS PROPRIETARY AND CONFIDENTIAL PROPERTY OF LOUD TECHNOLOGIES, INC. ALL RIGHTS RESERVED

UNLESS OTHERWISE SPECIFIED: ALL DIMENSIONS ARE IN INCHES DUAL [MM] DIMENSIONS FOR REF ONLY

TOLERANCE IN INCHES
 LINEAR ± 0.13 in / ± 3.3 mm
 ANGLES $\pm 1^\circ$

(X.XX) = REF DIMS
 NO TOLERANCE IMPLIED

TSC = THEORETICAL SHARP CORNER

DIMENSIONS ACROSS CENTERLINES TO BE SYMMETRICAL

EAW www.eaw.com

TITLE: **DWG CUSTOMER CLUB.three [MECHANICAL SPECIFICATION]**

A	SHEET 1 OF 1	SCALE: 0.060
----------	--------------	--------------

DRAWING NUMBER: 2039104-CD	REVISION: A
----------------------------	-------------