

Installation Instructions

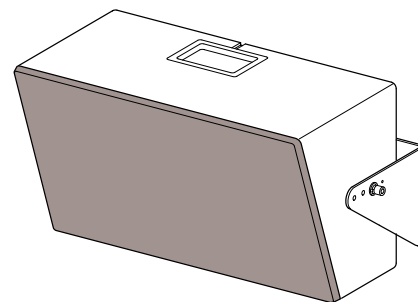
CR57e/CR58 BRACKET

EAW DWG NO 480359 (0)

1. Inventory

Before beginning installation, inventory kit to items listed.

Item	EAW P/N	Qty	Description
1	606067	1	Bracket, HD57eWM
2	102246	2	Screw, 3/8-16 x 1-1/2, SHCS, Black
3	105062	2	Washer, Neoprene, 3/8 I.D. X 1 O.D.
4	105010	2	3/8 Washer, Flat, Black
5	105011	2	3/8 Washer, Lock, Black



WARNING: Installation should only be done by an experienced technician. Improper installation may cause serious injury. The surface where the bracket/cabinet is to be fastened must have enough structural integrity to support 250 pounds.

2. Mounting the Bracket

Due to various construction methods and materials used today, the hardware for securing the bracket to the mounting surface is not supplied. It is recommended that you consult a building professional for the proper mounting hardware before mounting the bracket.

3. Removing the Shipping Hardware

Remove the flat head screws from the sides of the cabinet using a 7/32 Allen wrench.

4. Which Holes to Use

There are three .41 diameter holes in each bracket arm. Use the inner hole.

5. Hanging the Cabinet

- Holding the cabinet in position, insert the screw with its lock washer and flat washer through the bracket right side arm's inner hole then through the neoprene washer and in the cabinet's threaded mounting hole and hand tighten.
- Repeat step A through the left side arm's bracket hole.
- Position cabinet and tighten both screws with a 5/16 Allen wrench.

