

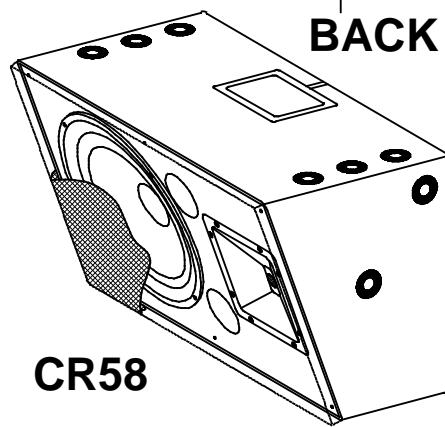
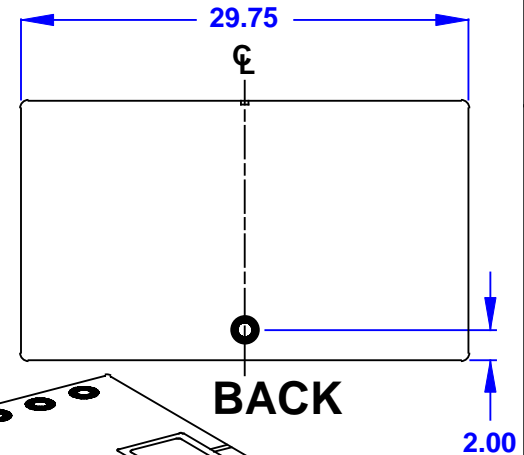
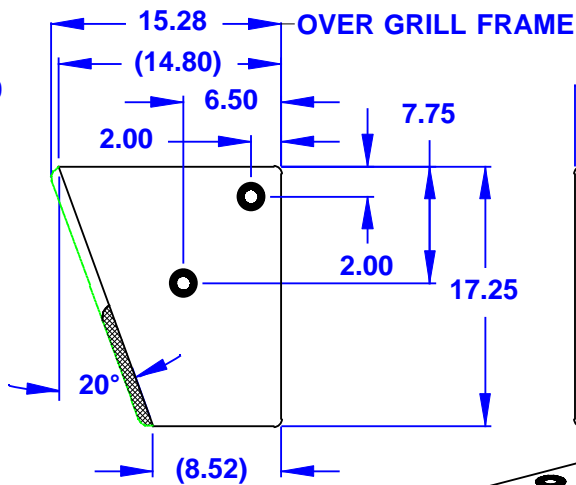
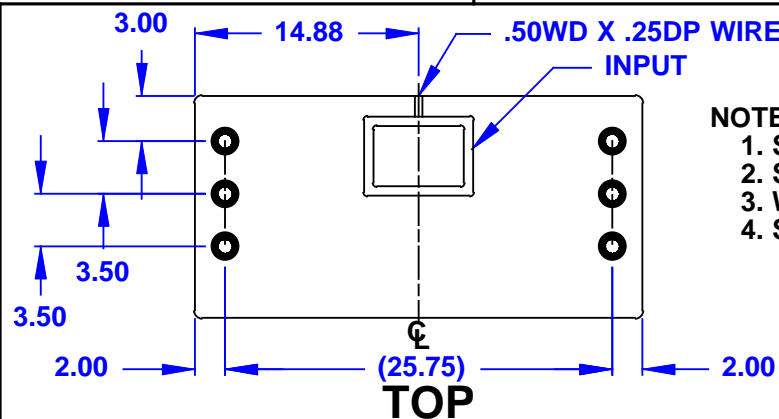


REV	DESCRIPTION	APVD/DATE
1	REVISED PER ECO #4995 DM 11/28/00.	KFH 12/1/00

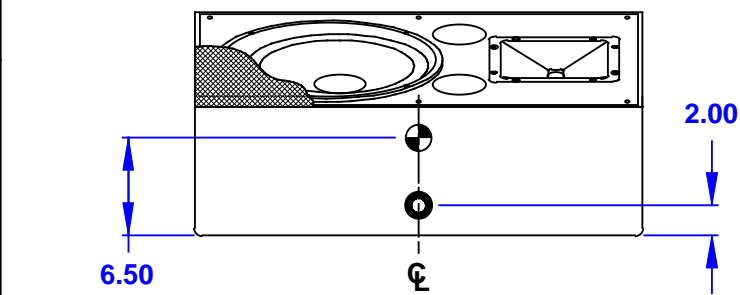
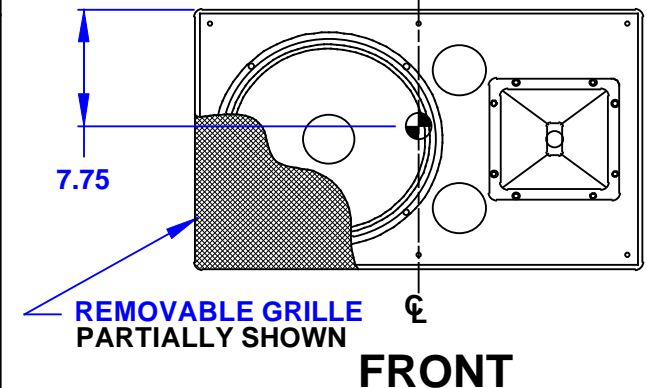
NOTES:

1. SYMBOL  INDICATES MOUNTING POINT, 3/8-16 THREADED HOLE (RIVNUT).
2. SYMBOL  INDICATES CENTER OF BALANCE.
3. WEIGHT APPROX. 58 LBS.
4. SHIPPING WEIGHT APPROX. 66 LBS.



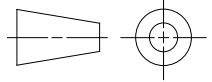
CR58

DOCUMENT CONTROL PER SPECIFICATION 4.5.201



BOTTOM

THIRD ANGLE PROJECTION



THIS DRAWING IS THE PROPERTY OF EAW AND SHALL NOT BE COPIED, REPRODUCED, OR USED AS THE BASIS FOR MANUFACTURE OR SALE OF APPARATUS WITHOUT WRITTEN AUTHORIZATION. DO NOT SCALE DRAWING.

UNLESS OTHERWISE SPECIFIED:
ALL DIMENSIONS ARE IN INCHES
TOLERANCE IN INCHES
.XX ± .13
ANGLES ±1°

(X.XX) = REF DIMS
NO TOLERANCE IMPLIED
T.S.C.=THEORETICAL SHARP CORNER
DIMENSIONS ACROSS CENTERLINES
TO BE SYMMETRICAL

STATUS: PRODUCTION	
APPROVALS	DATE
DRAWN: NYSTEDT	3/3/98
CHECKED: LECOUR	3/3/98
DES ENG: JR	3/6/98
MFG ENG: KRV	3/9/98

EAW EASTERN ACOUSTIC WORKS
ONE MAIN STREET
WHITINSVILLE, MA 01588 USA

TITLE:
CABINET/FINISHED/CR58
[MECHANICAL SPECIFICATION]

A	SHEET 1 OF 1	SCALE: 1 TO 12
DRAWING NUMBER: 510638		REVISION: 1