
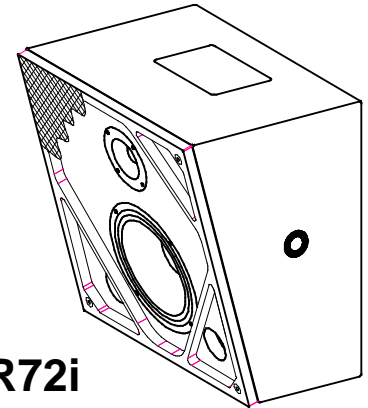


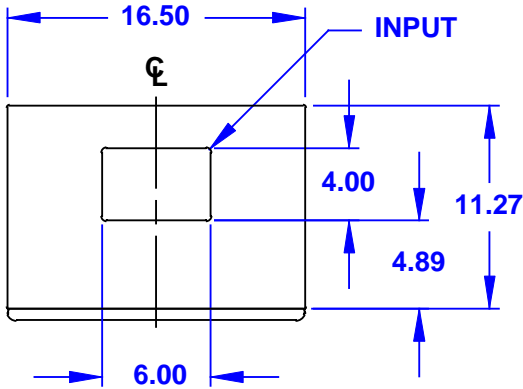
**NOTES:**

1. SYMBOL  INDICATES MOUNTING POINT, 3/8-16 THREADED HOLE (RIVNUT).
2. SYMBOL  INDICATES MOUNTING POINT, 5/16-18 THREADED HOLE (OMNI MOUNT).

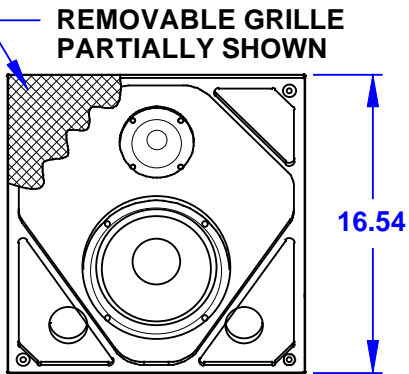
REV	DESCRIPTION	APVD/DATE
A	NEW ISSUE PER DSR 00-1104 MFL 10/31/00	



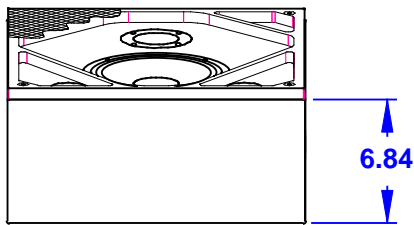
**CR72i**



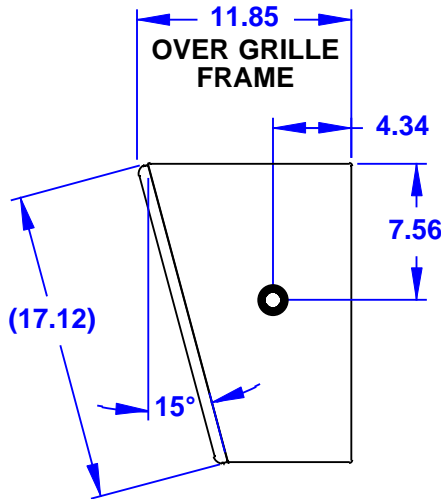
**TOP**



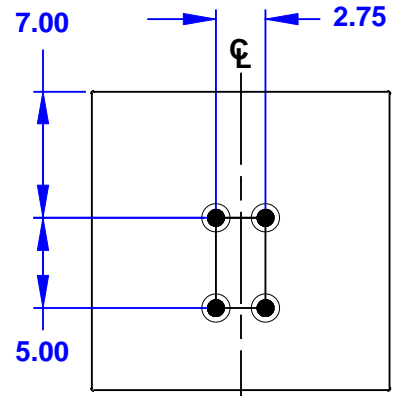
**FRONT**



**BOTTOM**

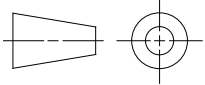


**RIGHT SIDE**  
DIMENSIONS APPLY TO BOTH SIDES



**BACK**

DOCUMENT CONTROL PER SPECIFICATION 4.5.201

<p>THIRD ANGLE PROJECTION</p> 	<p>UNLESS OTHERWISE SPECIFIED: ALL DIMENSIONS ARE IN INCHES</p> <p>TOLERANCE IN INCHES .XX ± .13 ANGLES ± 1°</p> <p>(X.XX) = REF DIMS NO TOLERANCE IMPLIED</p> <p>T.S.C.=THEORETICAL SHARP CORNER</p> <p>DIMENSIONS ACROSS CENTERLINES TO BE SYMMETRICAL</p>	<p>STATUS: <b>PROTOTYPE</b></p>		<p><b>EA</b> EASTERN ACOUSTIC WORKS ONE MAIN STREET WHITINSVILLE, MA 01588 USA</p>	
		APPROVALS	DATE		<p>TITLE: CABINET/FINISHED-CR72i [MECHANICAL SPECIFICATION]</p>
		DRAWN: MFL	10/31/00		
		CHECKED:			
DES ENG:		<p><b>A</b> SHEET 1 OF 1</p>	<p>SCALE: 1 TO 10</p>		
MFG ENG:				<p>DRAWING NUMBER: 510974</p>	<p>REVISION: A</p>