

## APPLICATION

- For small to large cinemas
- Passive 2-way surround channel loudspeaker
- THX® approved

## PRODUCT INFORMATION

The CR82i two-way, passive, full range cinema surround loudspeaker system is engineered to reproduce today's full bandwidth digital surround tracks in smaller cinemas. It features a 12-in woofer and a co-axial mounted 1.4-in exit compression driver.

This system is approved by the THX® division of Lucasfilm, Ltd., for use in THX® certified theaters.

The CR82i is specifically engineered to cover a larger seating area with higher quality, higher output sound than traditional cinema surrounds.

The passive crossover/filter network included in the CR82i goes beyond merely dividing the signal and actually performs critical equalization functions. This means it will provide more detailed, natural reproduction of any sonic event occurring in the 360° aural arena. The crossover/filter network tailors HF response to match the SMPTE/ISO 2969 response curve.

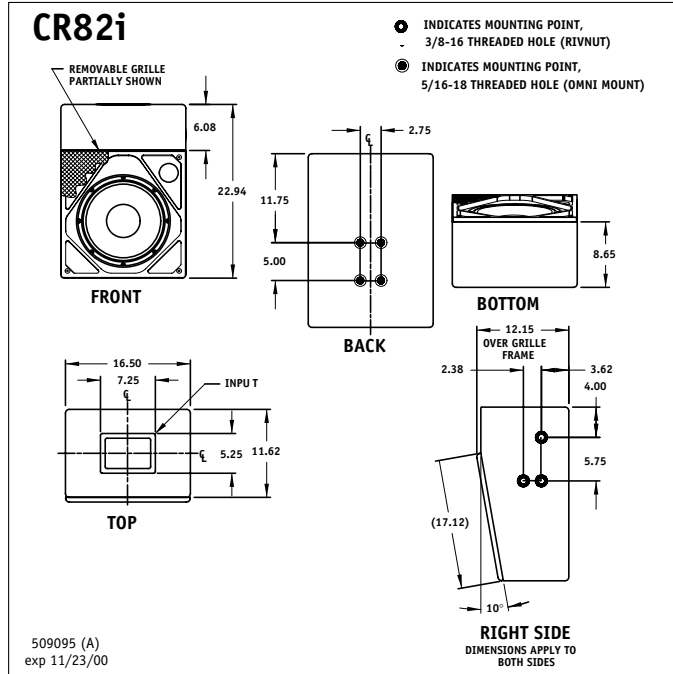
The front baffle is angled down 10° to accommodate overhead mounting. The optimally vented enclosure increases LF response while limiting driver excursion. This method produces less distortion and minimizes driver strain while extending LF response to the lowest octaves.

The input connector - a 2-terminal barrier strip that accommodates bare wire, tinned leads or spade lugs - is located on top of the enclosure. The enclosure features a textured black finish to eliminate visual intrusion of speakers. For safety, the cloth grille is attached with multiple threaded fasteners.



## DESCRIPTIVE DATA

Part Number	997		
LF Subsystem & Loading	1x12-in cone, vented		
HF Subsystem & Loading	1x1.4-in compression driver		
Configuration	2-way, full range		
Powering Mode	Passive		
Cabinet Type (shape)	Rectangular, slant baffle		
Enclosure Materials	Medium Density Fiberboard		
Finish	Textured black		
Connectors	2 terminal barrier strip		
Suspension Hardware	(6) 3/8-16 threaded points (3 per side) plus (4) 1/4"-20 threaded points on back to accept Omnimount Series 100 or APC MM024 Black Cloth on plastic frame		
Dimensions	Grille		
	Inches	Centimeters	
	Height	24.25	616
	Width	16.50	419
	Depth (Top)	11.00	292
Depth (Max.)	11.50	279	
Depth (Bottom)	8.00	203	
Weights	Pounds	Kilograms	
	Net Weight (approx)	48	21.8
	Shipping Weight (approx)	52	23.7



## COMPONENTS & CONSTRUCTION

The CR82i two-way, passive, full range cinema surround loudspeaker system includes a co-axially mounted 1.4-in exit compression driver within a 12-in cone transducer on a slanted baffle. The LF and HF sections are integrated with a complex, multicomponent passive crossover/filter network which tailors HF response to match the SMPTE/ISO 2969 response curve.

The enclosure is constructed of 3/4-in Medium Density Fiberboard (MDF). Extensive internal bracing is employed to minimize panel resonances resulting from the large acoustical energies generated within the enclosure while maximizing acoustical energy transfer into the audience area.

Input connectors, located on the top of the enclosure, are 2-terminal barrier strip, designed to accommodate bare wire, tinned leads or spade lugs. For safety, the black cloth grille is attached with multiple threaded fasteners.

## COMPONENTS & CONSTRUCTION continued

All external components feature a textured, non-reflective, black finish.

## NOMINAL DATA

### Frequency Response

+3 dB	SMPTE/ISO 2969 "X" curve
	70 Hz - 17 kHz
-10 dB	58 Hz

### Axial Sensitivity (dB SPL, 1 Watt @ 1m)

Full Range Passive	101
--------------------	-----

### Impedance (Ohms)

Full Range Passive	12
--------------------	----

### Power Handling, AES Standard (Watts)

Full Range AES Standard	250
-------------------------	-----

### Calculated Maximum Output (dB SPL @ 1m)

Full Range Peak	131.0
Full Range Long Term	125.0

### Nominal Coverage Angle/-6 dB points (degrees)

Conical	90
---------	----