

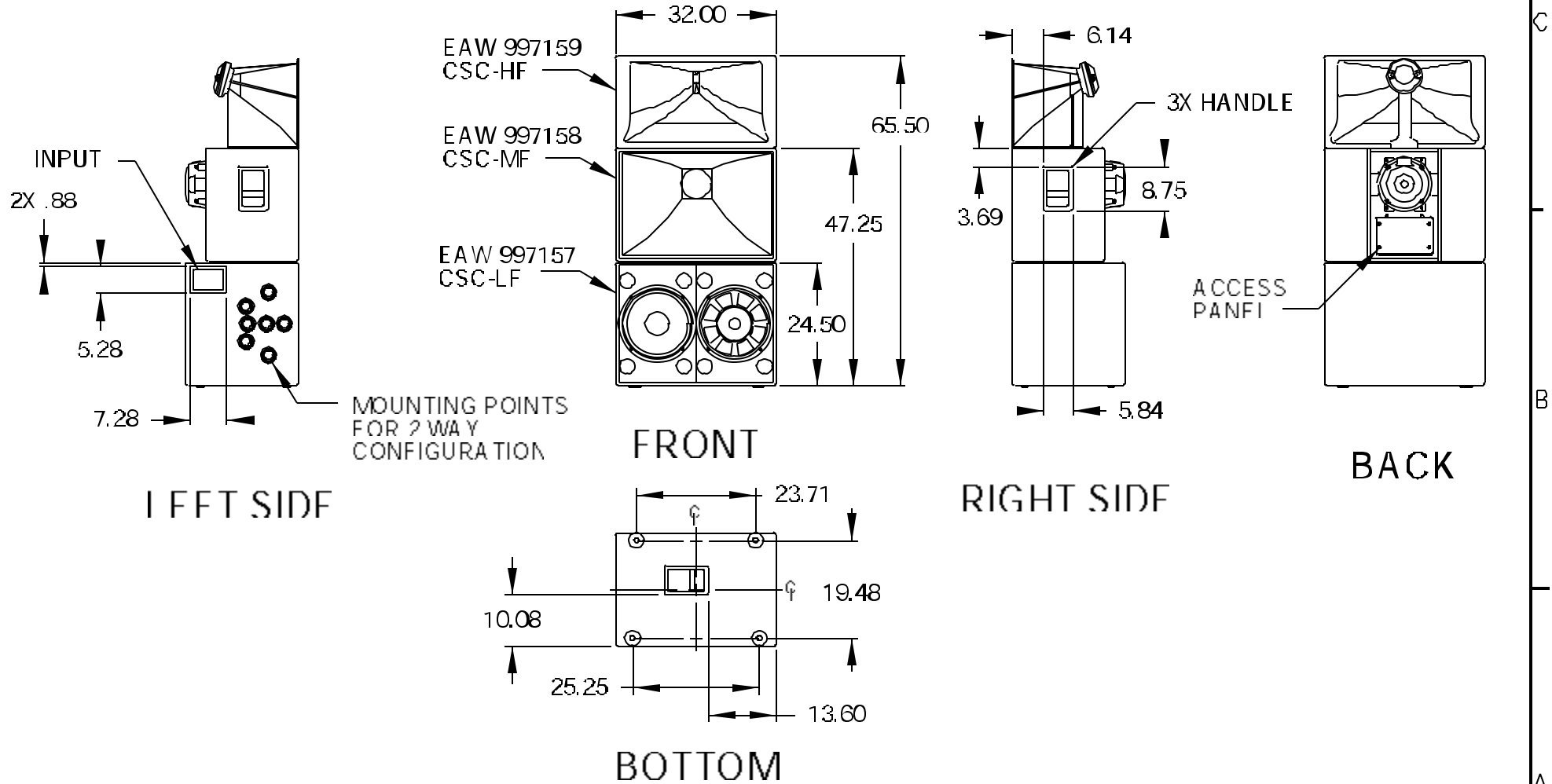


NOTES:

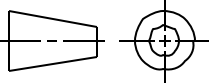
1. SYMBOL  INDICATES RUBBER FOOT.
2. SYMBOL  INDICATES MOUNTING POINT, 3/8-16 THREADED HALF RIVNUT.

REV	DESCRIPTION	
A	NEW ISSUE PER DSR 00-722 MFL 5/26/00	KFH 5/26/00



DOCUMENT CONTROL PER SPECIFICATION 4.5.201

THIRD ANGLE PROJECTION



THIS DRAWING IS THE PROPERTY OF EAW AND SHALL NOT BE COPIED, REPRODUCED, OR USED AS THE BASIS FOR MANUFACTURE OR SALE OF APPARATUS WITHOUT WRITTEN AUTHORIZATION. DO NOT SCALE DRAWING.

UNLESS OTHERWISE SPECIFIED:
ALL DIMENSIONS ARE IN INCHES
TOLERANCE IN INCHES
XX ± .13
ANGLES ± 1°

(XXX) = REF DIMS
NO TOLERANCE IMPLIED

T.S.C. - THEORETICAL SHARP CORNER
DIMENSIONS ACROSS CENTERLINES
TO BE SYMMETRICAL

STATUS: PROTOTYPE	
APPROVALS	DATE
DRAWN: MFL	5/26/00
CHECKED:	
DES ENG:	
MFG ENG:	

EAW EASTERN ACOUSTIC WORKS
ONE MAIN STREET
WHITINSVILLE, VA 01588 USA

TITLE: SYSTEM/CSC723
[MECHANICAL SPECIFICATION]

A	SHEET 1 OF 1	SCALE: 1 TO 30
DRAWING NUMBER: 997164		REVISION: A