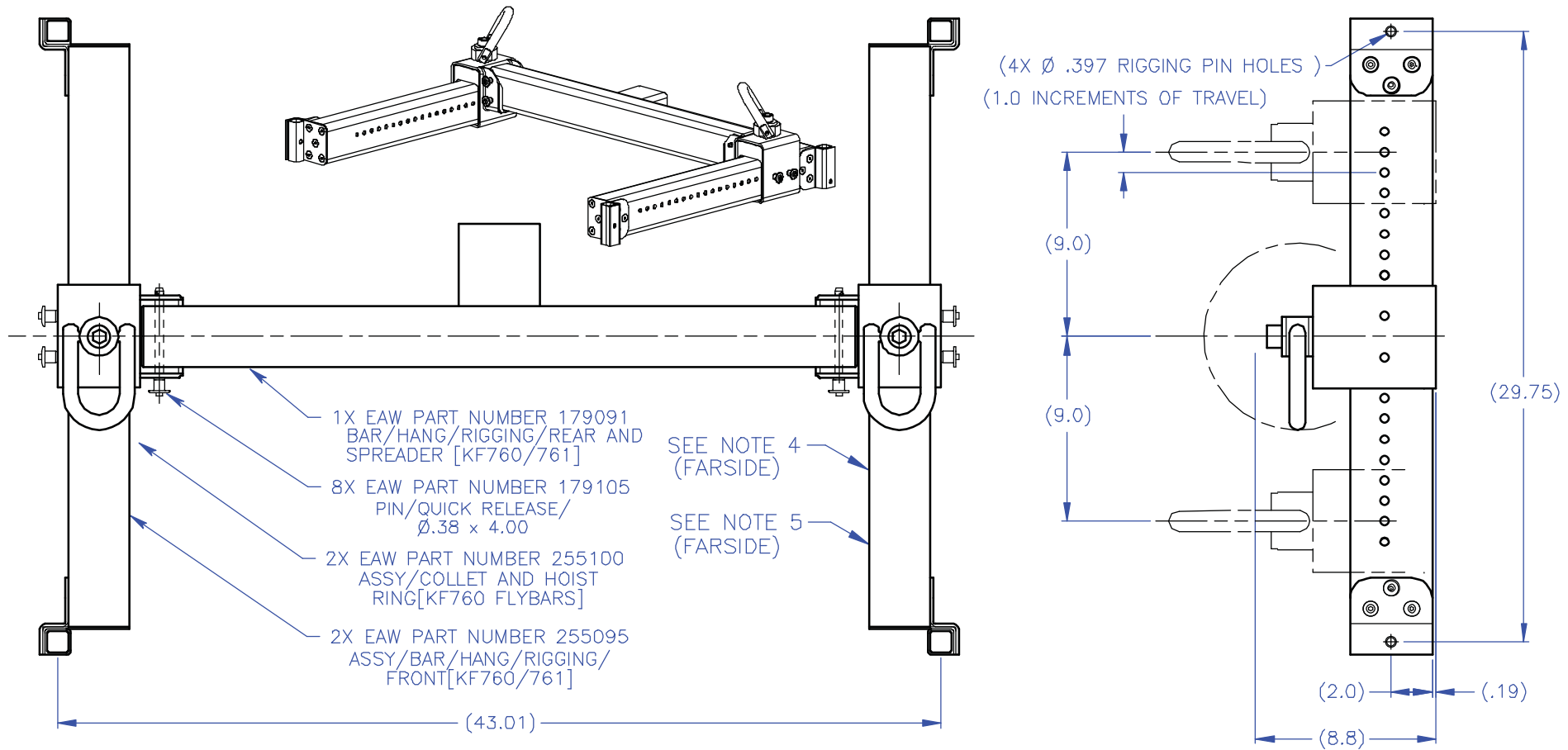


SEE NOTES ON SHEET 2

REV	DESCRIPTION	APVD/DATE
E	SKIPPED REVISIONS (C) AND (D) SO DRAWING REVISION IS THE SAME AS THE AGILE REVISION (E). MOVED PREVIOUS REVISIONS TO SHEET 2 PER MCOVHT1803 MELANIE 11/1/06	KFH 11/1/06

SEE SHEET 2 FOR PREVIOUS REVISIONS



DOCUMENT CONTROL PER SPECIFICATION 4.5.201

<p>THIRD ANGLE PROJECTION</p>	<p>UNLESS OTHERWISE SPECIFIED: ALL DIMENSIONS ARE IN INCHES DUAL [MM] DIMENSIONS REF ONLY</p> <p>TOLERANCE IN INCHES .X ±.03 .XX ±.015 .XXX ±.005 FRACTIONS ±1/32 ANGLES ±1/2°</p> <p>(X XX) = REF DIMS NO TOLERANCE IMPLIED TSC=THEORETICAL SHARP CORNER DIMENSIONS ACROSS CENTERLINES TO BE SYMMETRICAL</p>	<p>STATUS: PRODUCTION</p>		<p>EAW EASTERN ACOUSTIC WORKS ONE MAIN STREET WHITINSVILLE, MA 01588 USA</p>
		<p>APPROVALS</p> <p>DRAWN: NYSTEDT 04/11/01</p> <p>CHECKED: KFN 8/02/01</p> <p>DES ENG: TSD 8/02/01</p> <p>MFG ENG: MCB 8/03/01</p>	<p>DATE</p> <p>04/11/01</p> <p>8/02/01</p> <p>8/02/01</p> <p>8/03/01</p>	
<p>THIS DRAWING IS THE PROPERTY OF EAW AND SHALL NOT BE COPIED, REPRODUCED, OR USED AS THE BASIS FOR MANUFACTURE OR SALE OF MATERIALS WITHOUT WRITTEN AUTHORIZATION. DO NOT SCALE DRAWING.</p>			<p>SHEET 1 OF 2 SCALE: 1 TO 5</p>	
<p>DRAWING NUMBER: 255099</p>			<p>REVISION E</p>	

VF11UM