

1

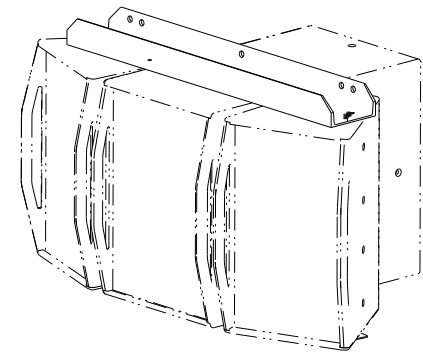
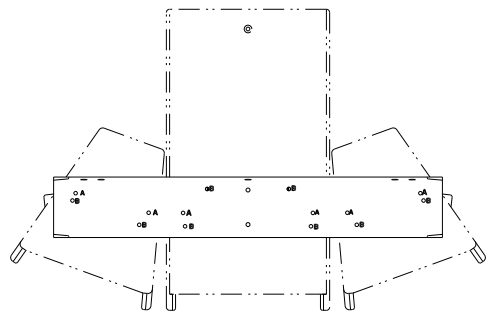
2

3

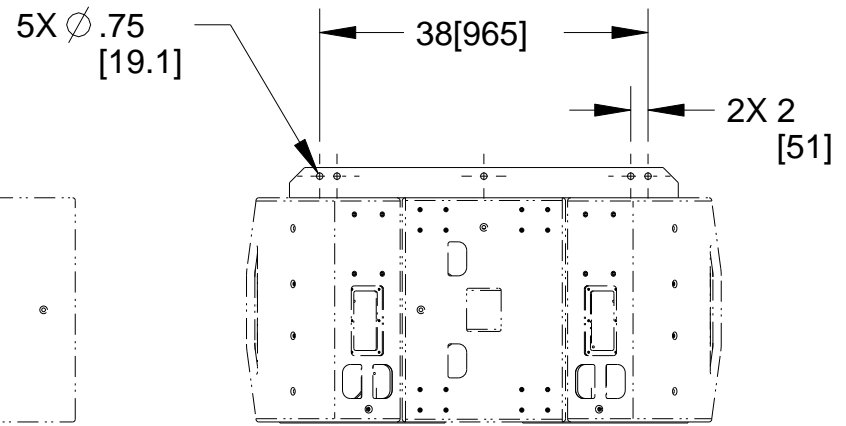
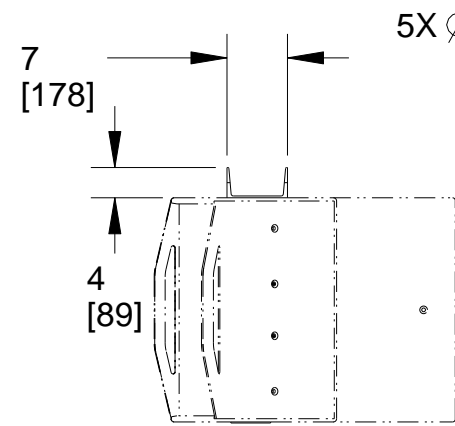
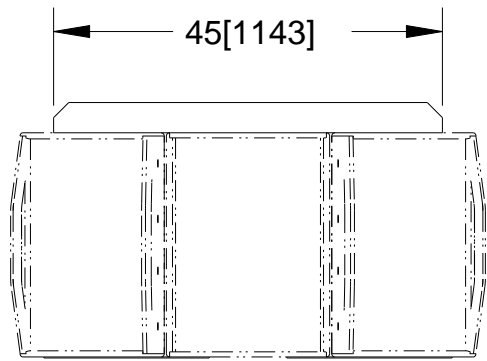
4

REV	CHANGE NUMBER	DATE
1	ECOWHT8217	1/27/12

C

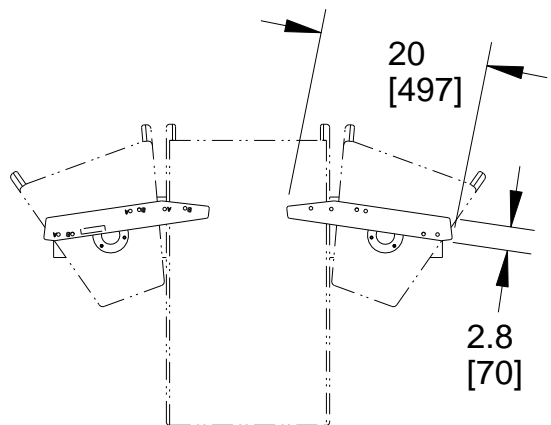


B



C

A

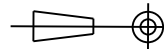


A

NOTES:

1. ALL HARDWARE NECESSARY FOR MOUNTING TO THE LOUDSPEAKERS IS INCLUDED IN THE KIT.
2. FOR USE WITH MK2300 SERIES/SBK150 OR VFR129/VFS220, 60° HORIZONTAL COVERAGE ONLY.
3. TOTAL WEIGHT OF KIT IS APPROXIMATELY 20 lb [9.1 kg]
4. TOTAL SHIPPING WEIGHT OF KIT IS APPROXIMATELY 25 lb [11.3 kg]
5. LOUDSPEAKERS NOT INCLUDED.
6. USE "A" HOLES WITH MK/SBK AND "B" HOLES WITH VFR/VFS ARRAY.

THIRD ANGLE PROJECTION



THE INFORMATION CONTAINED  
HEREIN IS PROPRIETARY AND  
CONFIDENTIAL PROPERTY OF  
LOUD TECHNOLOGIES, INC.  
ALL RIGHTS RESERVED

UNLESS OTHERWISE SPECIFIED:  
ALL DIMENSIONS ARE IN INCHES  
DUAL [MM] DIMENSIONS  
FOR REF ONLY

TOLERANCE IN INCHES  
LINEAR ± 0.13 in / ± 3.3 mm  
ANGLES ± 1°

(X.XX) = REF DIMS  
NO TOLERANCE IMPLIED

TSC = THEORETICAL SHARP CORNER

DIMENSIONS ACROSS CENTERLINES  
TO BE SYMMETRICAL

**EAW** www.eaw.com

TITLE:  
DWG CUSTOMER FLYBAR  
SBK-MK23 VFS-VFR129 [FB2VSK]  
[MECHANICAL SPECIFICATION]

A

SHEET 1 OF 1

SCALE:  
0.045

DRAWING NUMBER:

2038319-CD

REVISION:

A

1

2

3

4

PRO ENGINEER