



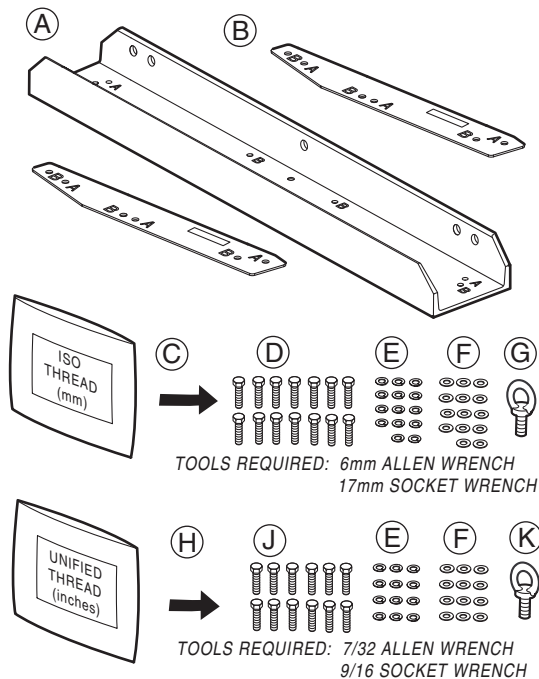
# Instructions for FB2VSK and FB5VSK Flybars

**Warning: Installation should only be done by an experienced technician. Improper installation may cause damage to the equipment, serious injury or death.**

## 1. INVENTORY YOUR KIT FOR COMPLETENESS.

Your kit must be made up of the following parts:

Item	Qty	Description
A	1	Top Array Bracket
B	2	Bottom Array Bracket
C	1	Poly Bag Labeled ISO THREAD That Contains the following hardware
D	14	Bolts M10 Thread
E	14	Lock Washers
F	14	Flat Washers
G	1	Eye Bolt M10
H	1	Poly Bag Labeled UNIFIED THREAD That Contains the following hardware
J	12	Bolts 3/8-16 Thread
E	12	Lock Washers
F	12	Flat Washer
K	1	Eye Bolt 3/8-16



## 2. EXPLANATION OF FB2VSK/FB5VSK

These instructions direct the technician to install two separate Flybar Kits, the FB2VSK or the FB5VSK. In turn each of these two kits hangs one of two arrays, one requiring metric screws and the other unified screws.

The FB2VSK kit hangs either of these two arrays and should be used only with the loudspeakers identified below:

- 1 - VFS220 with 2 - VFR129 - using only 60° horizontal patterns (metric screws) or
- 1 - SBK150 with 2 - MK2300 Series - using only 60° horizontal patterns (unified screws).

Similarly, the FB5VSK designates a second flybar kit that hangs either of these two larger arrays:

- 1 - VFS250 - with 2 - VFR159 - using only 60° horizontal patterns (metric screws) or
- 1 - SBK250 or 1 - SBK180 with 2 - MK5300 Series - using only 60° horizontal patterns (unified screws).

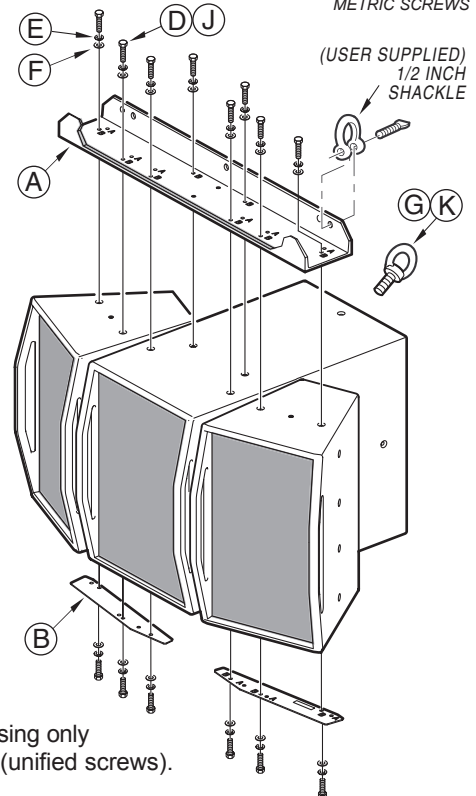
Each of these two kits contains Items A thru K listed to the left. The difference being:

- FB2VSK contains the Array Bracket and Plates (Items A & B) SBK-MK23VFS-VFR129 while the
- FB5VSK kit contains the larger Array Bracket and Plates (Items A & B) SBK-MK53VFS-VFR159.

There are A holes and B holes designated on each of the Brackets and Plates, The A holes are to be used for the MK/SBK Arrays (unified) and the B holes used for the VFR/VRS Arrays (metric).

Tighten and torque all screws to 6.0 lb-ft [8.1 N-m].

THIS ILLUSTRATION SHOWS THE SBK-MK23 VFS-VFR129 BRACKET AND PLATES USING "B" HOLES TO MOUNT VFS220 AND VFR129 LOUDSPEAKERS USING METRIC SCREWS



If you have questions about these FB2VSK/FB5VSK Flybar Instructions please contact the EAW Application Support Group



One Main Street, Whitinsville, MA 01588 tel: 800 992 5013 / 508 234 6158 fax: 508 234 8251 web: www.eaw.com e-mail: asg@eaw.com

RD0641 (A) JAN 12

EAW is the worldwide technological and market leader in the design and manufacture of high-performance professional loudspeaker systems.