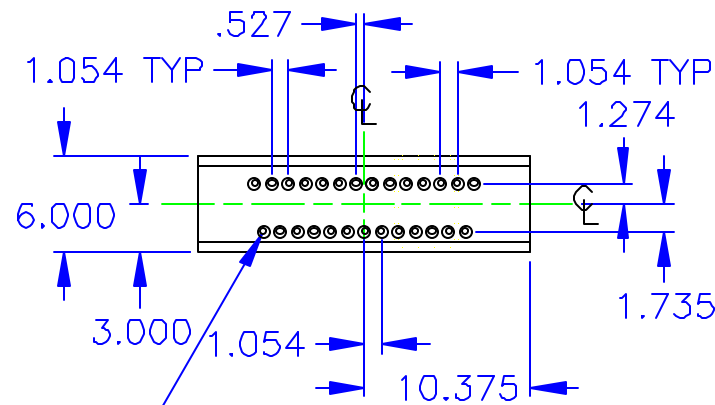
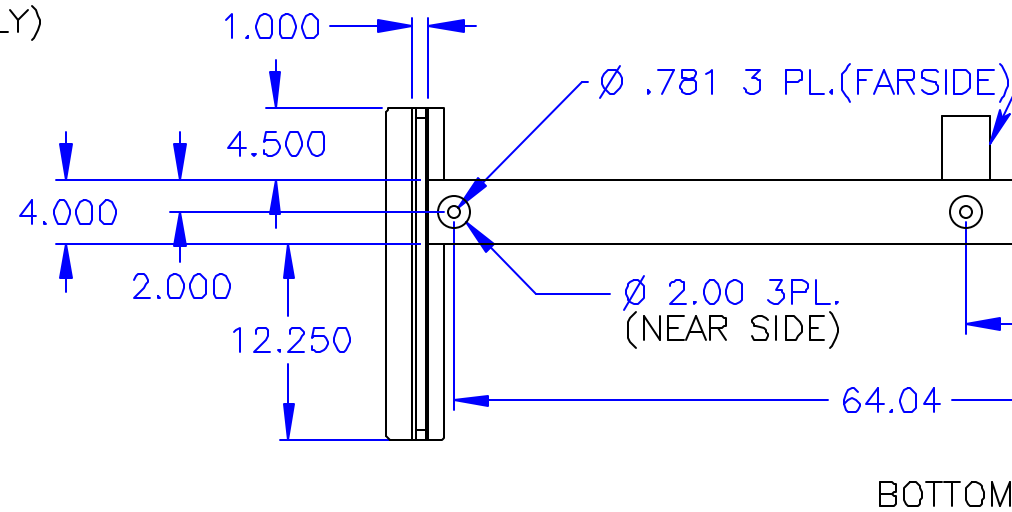


REV	DESCRIPTION	DATE	APPROVED
0	RELEASE	5/23/97	
1	ADDED WELDING SYMBOLS TO TOP VIEW ADDED CSK'S Ø .75 TO OUTER PLATES. REDIMENSION LEFT AND RIGHT PLATES. PER ECO # 3518. DM 2/10/99.		RS 2/12/99

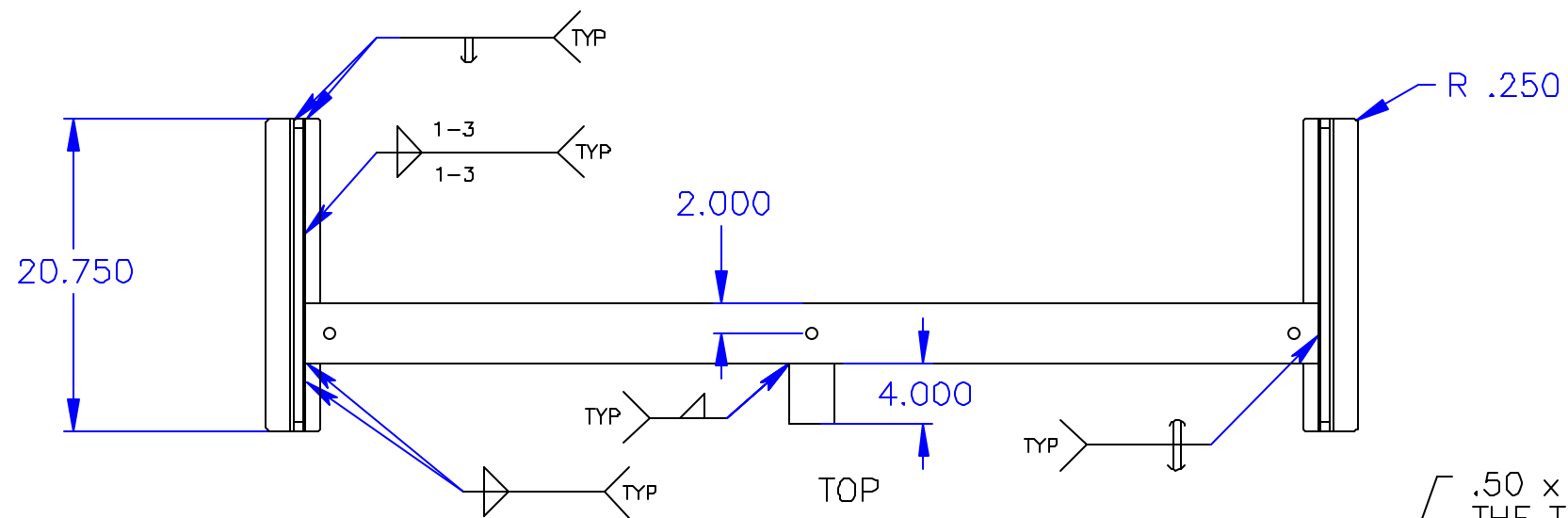
2 PL AT DIM SHOWN (3.009) OPPOSING EACH OTHER FOR HOLE CLEARANCE BOTH SIDES (4 TOTAL)



∅ .406 THRU CSK ∅ .75 X 82° (CSK OUTER PLATES ONLY)

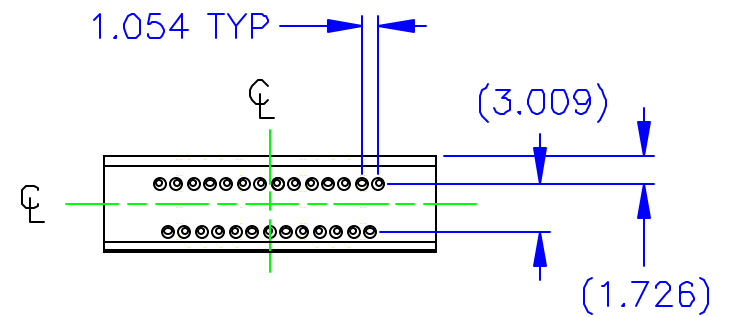


BOTTOM



TOP

.50 x 1.00 x 20.75 STEEL BAR TO RUN THE ENTIRE LENGTH OF END LEGS OF THIS ASSEMBLY FOR STRENGTH. (SEE NOTE 2)(SEE DETAIL 'D')



DETAIL 'D'
2X

NOTES:
1. MAT'L: STEEL AND STEEL TUBING
2. 1.0 X .50 STEEL BAR TO RUN ENTIRE LENGTH OF EA. LEG. CUT CLEARANCE IN 4.0 X 6.0 X 87.165 STEEL TUBE. (SEE DETAIL 'D')
3. THERE IS A 3D DATABASE OF THIS FILE FOR TRANSLATION TO IGES FOR CNC OUTPUT (ASK ABOUT OTHER THAN IGES FILE FOR OUTPUT ALSO).
4. ALSO INCLUDED IN ASSEMBLY BUT NOT SHOWN ARE THREE (3) SWIVEL HOIST RING'S, VENDOR CROSBY P/N 1016931 OR EQUIV.

UNLESS OTHERWISE SPECIFIED:
ALL DIMENSIONS ARE IN INCHES.
TOLERANCE IN INCHES
.X ±.063
XX ±.030 FRACTIONS 11/32
THIS DRAWING OR THE PROPERTY OF SEAW AND SHALL NOT BE COPIED, REPRODUCED OR USED AS THE BASIS FOR MANUFACTURE OR SALE OF APPARATUS WITHOUT WRITTEN AUTHORIZATION. DO NOT SCALE DRAWING.

APPROVAL / DATE	
DRAWN: JAH	5/23/97
CHECKED: JMS	6/2/97
DES ENG: JMS	6/2/97
MFG ENG: JS	6/4/97

SEAW EASTERN ACOUSTIC WORKS
ONE MAIN STREET WINTERSVILLE, MASSACHUSETTS 01890 USA

FLYBAR
KF860

SHEET 1 OF 1 SCALE: 1 TO 1
DWG NO. 179026 REV 1