

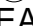
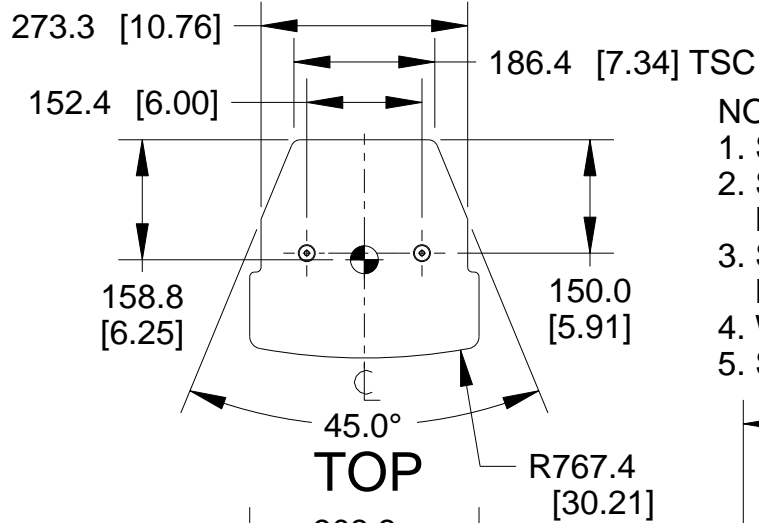


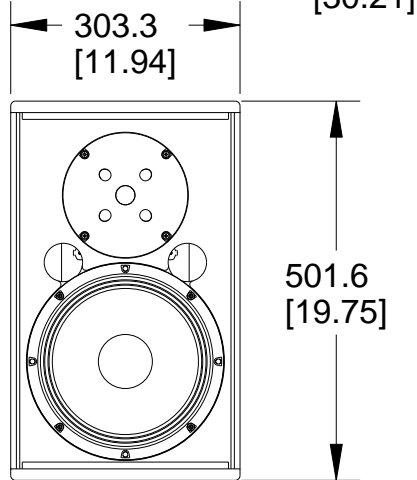
REV	CHANGE NUMBER	DATE
A	ECOWHT6615	7/30/10
B	ECOWHT6953	10/5/10

**NOTES:**

1. SYMBOL  INDICATES CENTER OF BALANCE.
2. SYMBOL  INDICATES MOUNTING POINT, M10 THREADED HOLE.
3. SYMBOL  INDICATES MOUNTING POINT, M8 THREADED HOLE FOR OMNIMOUNT 60.0 SERIES.
4. WEIGHT APPROX. 16.3 kg [36 lb]
5. SHIPPING WEIGHT APPROX. 19.0 kg [42 lb]

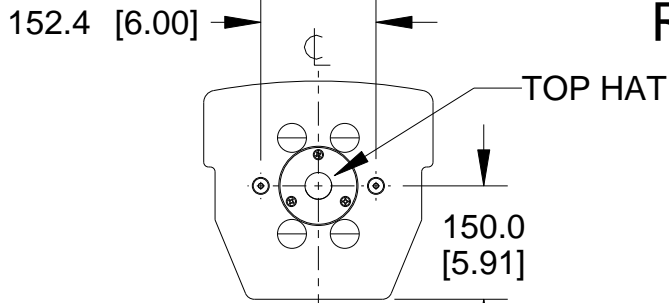


**TOP**

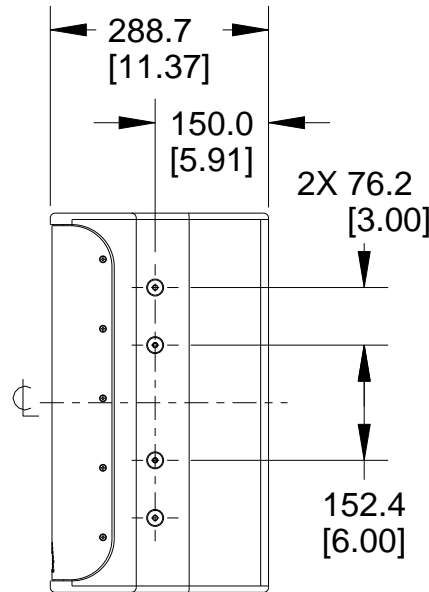


GRILLE NOT SHOWN FOR CLARITY

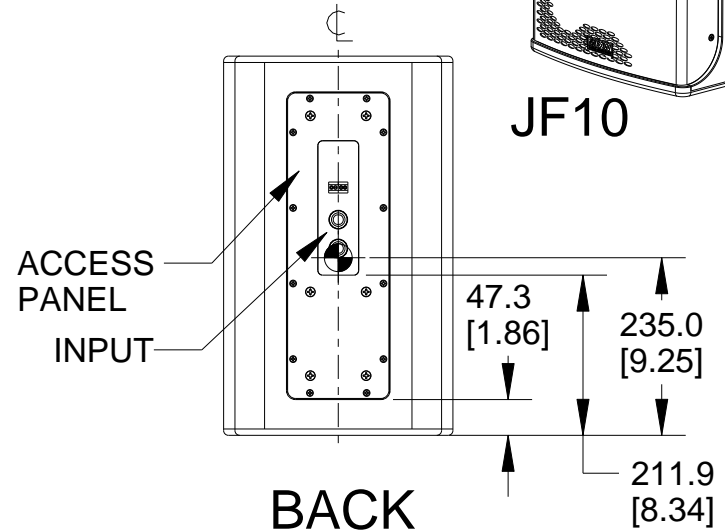
**FRONT**



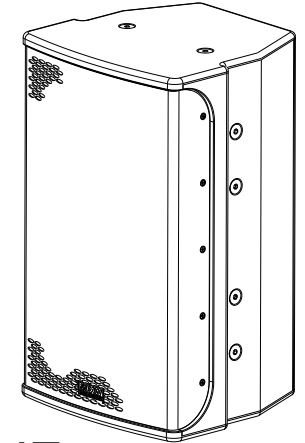
**BOTTOM**



DIMENSIONS APPLY TO BOTH SIDES  
**RIGHT SIDE**



**BACK**



**JF10**

THIRD ANGLE PROJECTION



THE INFORMATION CONTAINED HEREIN IS PROPRIETARY AND CONFIDENTIAL PROPERTY OF LOUD TECHNOLOGIES, INC. ALL RIGHTS RESERVED

UNLESS OTHERWISE SPECIFIED: ALL DIMENSIONS ARE IN MILLIMETERS DUAL [INCHES] DIMENSIONS FOR REF ONLY

TOLERANCE IN MILLIMETERS  
LINEAR ± 3.3 mm / ± 0.13 in  
ANGLES ± 1°

(X.XX) = REF DIMS  
NO TOLERANCE IMPLIED

TSC = THEORETICAL SHARP CORNER  
DIMENSIONS ACROSS CENTERLINES TO BE SYMMETRICAL

**EAW** www.eaw.com

TITLE:  
**DWG CUSTOMER JF10  
[MECHANICAL SPECIFICATION]**

**A**

SHEET 1 OF 1

SCALE:  
0.100

DRAWING NUMBER: **2034737-CD** REVISION: **B**

PRO ENGINEER