



# SPECIFICATIONS JF200e

## FEATURES

- Compact two-way system
- 12-in LF/2-in exit HF on 100° conical Wave Guide Plate™
- Flytrack, mounting points and pole mount cup included
- Switchable powering: full range passive or bi-amp (passive MF/HF)
- For portable use or permanent installation

## DESCRIPTION

A 2-way full range system in a vented trapezoidal enclosure. Includes a 12-in woofer and a 2-in exit compression driver on a Wave Guide Plate™. Powering mode is switchable: passive (LF/HF crossover) or biamplified.

## APPLICATIONS

The JF200e offers concert-level output combined with natural, undistorted reproduction. Effective as a small nearfield main system or as a fill element in portable or permanent applications. Flytracks, mounting/suspension points, stand mount cup. Six year warranty.

Applications include:

- Band PA
- Ballroom Events
- Corporate Events
- Small Theaters
- Live Music Clubs
- Convention Centers



## PERFORMANCE

### Frequency Response (1 Watt @ 1m)

±3 db	66 Hz to 18 kHz
-10 dB	55 Hz

### Axial Sensitivity (dB SPL, 1 Watt @ 1m)

Full Range	98
Bi-amped LF	98
Bi-amped HF	104

### Impedance (Ohms)

Full Range	8
Bi-amped LF	8
Bi-amped HF	8

### Power Handling, AES Standard (Watts)

Full Range	500
Bi-amped LF	500
Bi-amped HF	200

### Calculated Maximum Output (dB SPL @ 1m)

Full Range Peak	131.0
Bi-amped LF Peak	131.0
Bi-amped HF Peak	133.0
Full Range Long Term	125.0
Bi-amped LF Long Term	125.0
Bi-amped HF Long Term	127.0

### Nominal Coverage Angle, -6 dB Points (degrees)

Conical	90
---------	----

### Recommended High-Pass Frequency

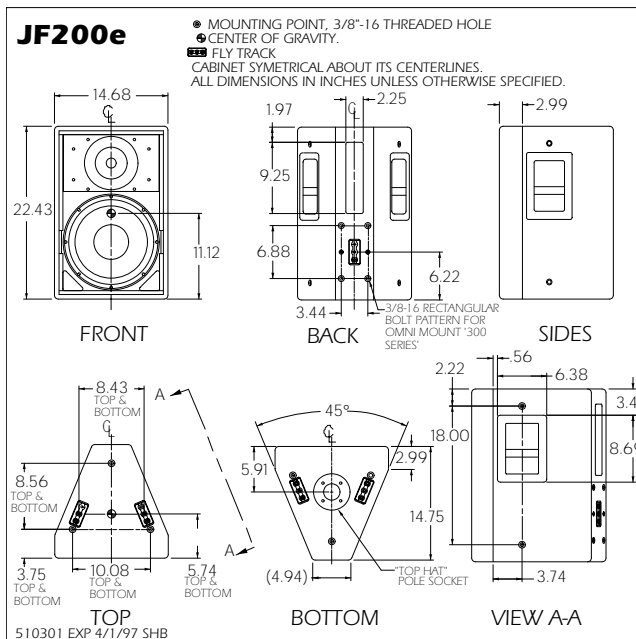
24 dB/Octave	50 Hz
--------------	-------





# SPECIFICATIONS JF200e

## DIMENSIONAL DRAWING



## PHYSICAL

LF Subsystem	1x 12-in, vented
HF Subsystem	1x 2-in exit compression driver on Wave Guide Plate™
Configuration	2-way, full range
Powering	Switchable: full range (passive LF/HF crossover) or bi-amplified
Controls (switches, knobs)	Powering mode switch
Cabinet Type (shape)	Trapezoidal
Enclosure Materials	Baltic birch plywood
Finish	Black catalyzed polyurethane
Connectors	2x Neutrik NL4 Speakon
Suspension Hardware	(5) 3 position fly tracks (2 each top and bottom, 1 back)/(10) 3/8"-16 threaded mounting points (3 each top and bottom, 2 each side)/(4) threaded mounting points for Omnimount Series 300 (back)/recessed cup for sandmount (bottom)
Grille	Vinyl coated perforated steel
Options	179001 flyclip with ring 179002 flyclip with hook

Dimensions	Inches	Millimeters
	Height	22.43
Width (front)	14.68	373
Width (rear)	4.94	125
Depth	14.75	375
Trapezoid Angle	22.5 Degrees per Side	
Weights	Pounds	Kilograms
	Net Weight	74

## A & E SPECIFICATIONS

The two-way full range loudspeaker systems shall incorporate 12-in LF transducer and a 2-in exit compression driver HF transducer.

The LF driver shall be mounted in a vented enclosure tuned for optimum low frequency response. The HF driver shall be loaded on an axis-symmetrical wave guide plate with a nominal coverage pattern of 90° (conical). An internal passive filter network shall provide fourth order acoustical crossover and system equalization.

System frequency response shall vary no more than  $\pm 3$  dB from 66 Hz to 18 kHz measured on axis. In passive mode, the loudspeaker shall produce a Sound Pressure Level (SPL) of 98 dB SPL on axis at 1 meter with a power input of 1 Watt, and shall be capable of producing a peak output of 131 SPL on axis at 1 meter. It shall handle 500 Watts of amplifier power (AES Standard) and shall have a nominal impedance of 8 Ohms.

In biamped mode, the low frequency section shall meet all passive mode performance criteria. In addition, the high frequency section in biamped mode shall produce a Sound Pressure Level (SPL) of 104 dB SPL on axis at 1 meter with a power input of 1 Watt, and shall be capable of producing a peak output of 133 SPL on axis at 1 meter. The mid/high section biamped mode shall handle 200 Watts of amplifier power (AES Standard) and shall have a nominal impedance of 8 Ohms.

The loudspeaker enclosure shall be trapezoidal in shape. It shall be constructed of 1/2-in thickness void-free cross-grain-laminated Baltic birch plywood and shall employ extensive internal bracing. It shall be finished in black catalyzed polyurethane. Input connectors shall be dual Neutrik NL4 Speakon. The system shall include a switch allowing it to be operated in bi-amp or passive Powering Configuration(s). The following mounting/suspension hardware shall be provided: five 3-position flytracks (2 top, 2 bottom, 1 back); ten 3/8"-16 threaded mounting points (3 top, 3 bottom, 2 each side); four threaded points for an Omnimount Series 300 (back); a recessed cup to accept a standmount pole. The front of the loudspeaker shall be covered with a vinyl coated perforated steel grille backed with open cell foam to protect against dust.

The two-way full range loudspeaker shall be the EAW model JF200e.