


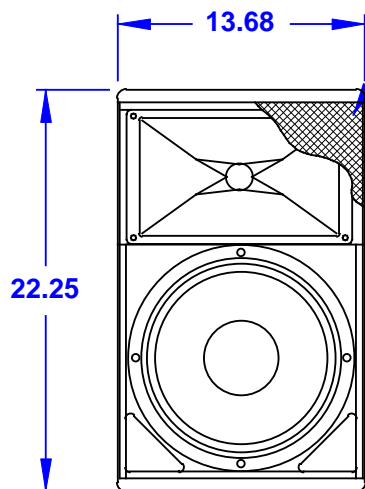


NOTES:

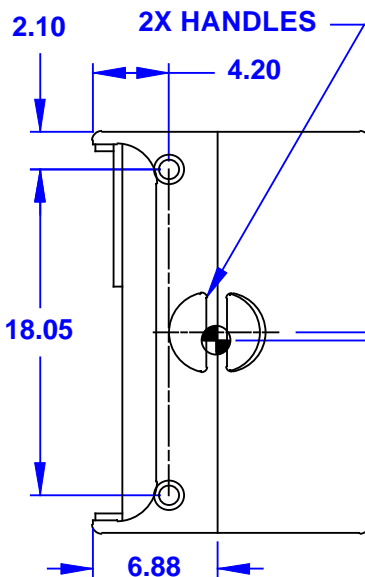
1. SYMBOL  INDICATES MOUNTING POINT, 3/8-16 THREADED HOLE.
2. SYMBOL  INDICATES 3.00 X 1.35 FLY TRACK.
3. SYMBOL  INDICATES CENTER OF BALANCE.
4. WEIGHT APPROX 70 LBS.
5. SHIPPING WEIGHT APPROX. 76 LBS .

REV	DESCRIPTION	APVD/DATE
0	UPGRADE TO PRODUCTION FROM REV B. ADDED WEIGHT & CENTER OF BALANCE PER DSR #99-642 ML 5/18/99	RS 7/6/99

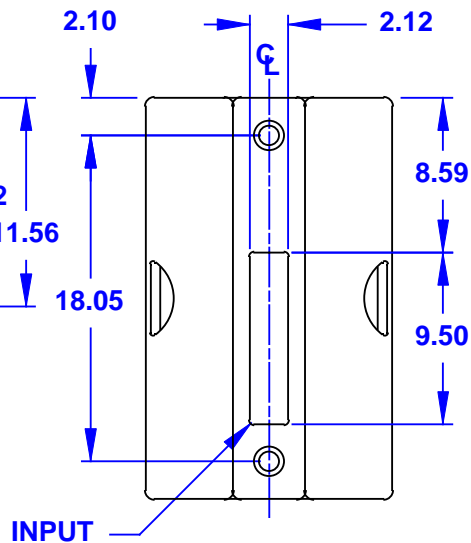
GRILL PARTIALLY SHOWN



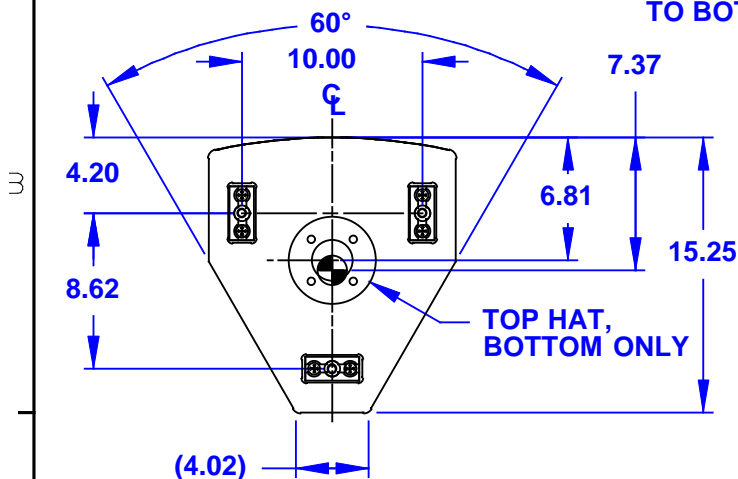
FRONT



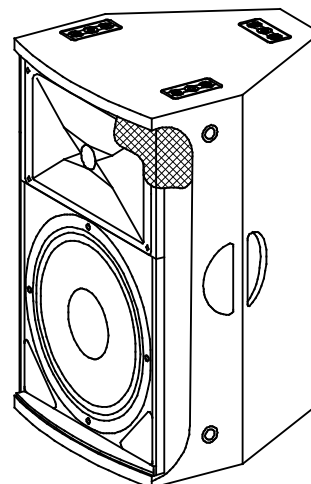
RIGHT SIDE
DIMENSIONS APPLY TO BOTH SIDES



BACK

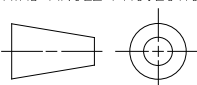


TOP/BOTTOM



JF290z

DOCUMENT CONTROL PER SPECIFICATION 4.5.201

<p>THIRD ANGLE PROJECTION</p> 	<p>UNLESS OTHERWISE SPECIFIED: ALL DIMENSIONS ARE IN INCHES</p> <p>TOLERANCE IN INCHES .XX ± .13 ANGLES ±1°</p> <p>(X.XX) = REF DIMS NO TOLERANCE IMPLIED</p> <p>T.S.C.=THEORETICAL SHARP CORNER</p> <p>DIMENSIONS ACROSS CENTERLINES TO BE SYMMETRICAL</p>	<p>STATUS: PRODUCTION</p>		<p>EA EASTERN ACOUSTIC WORKS ONE MAIN STREET WHITINSVILLE, MA 01588 USA</p>	
		<p>APPROVALS</p>			<p>DATE</p>
		<p>DRAWN: RAS</p>	<p>7/23/98</p>		<p>TITLE: CABINET/FINISHED/BLACK/ JF290z [MECHANICAL SPECIFICATION]</p>
		<p>CHECKED: KFH</p>	<p>7/6/99</p>		<p>[MECHANICAL SPECIFICATION]</p>
<p>DES ENG: ZC</p>	<p>7/6/99</p>	<p>A SHEET 1 OF 1</p>	<p>SCALE: 1 TO 10</p>	<p>DRAWING NUMBER: 510737</p>	
<p>MFG ENG: KRV</p>	<p>7/7/99</p>	<p>REVISION: 0</p>	<p>VELLUM</p>		