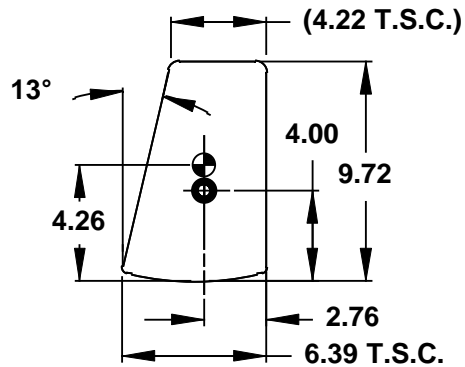


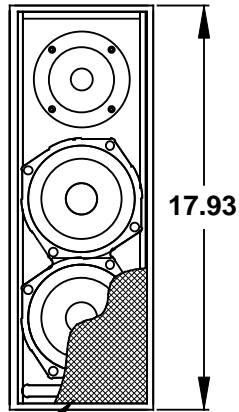
REV	DESCRIPTION	APVD/DATE
2	REVISED PER ECO #4996 DM 6/4/01	JRM 6/7/01



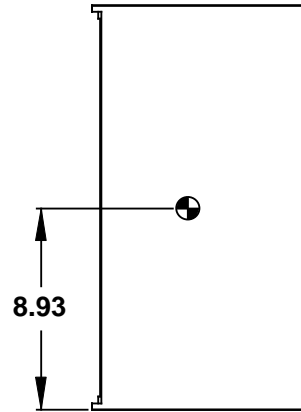
TOP/BOTTOM

NOTES:

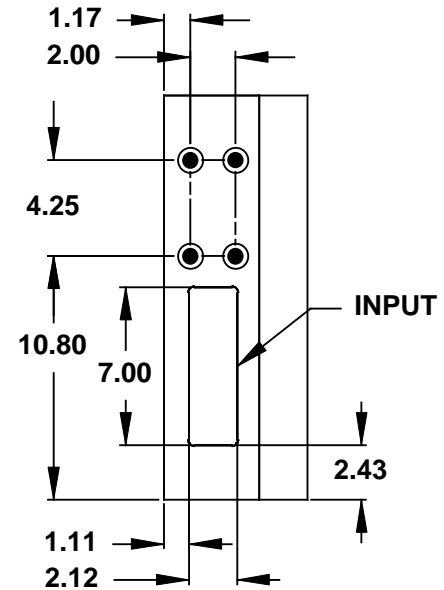
1. SYMBOL INDICATES MOUNTING POINT 3/8-16 THREADED HOLE (RIVNUT)
2. SYMBOL INDICATES MOUNTING POINT 1/4-20 THREADED HOLE FOR OMNI MOUNT SERIES 75.
3. SYMBOL INDICATES CENTER OF BALANCE.
4. WEIGHT APPROX. 20 LBS.
5. SHIPPING WEIGHT APPROX. 25 LBS.



GRILLE PARTIALLY SHOWN
FRONT

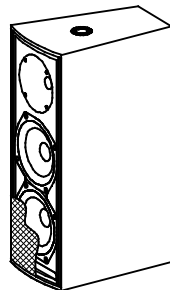


RIGHT SIDE



BACK

**JF50S
LEFT**



DOCUMENT CONTROL PER SPECIFICATION 4.5.201

	UNLESS OTHERWISE SPECIFIED: ALL DIMENSIONS ARE IN INCHES TOLERANCE IN INCHES .XX ± .13 ANGLES ± 1° (X.XX) = REF DIMS NO TOLERANCE IMPLIED T.S.C.=THEORETICAL SHARP CORNER DIMENSIONS ACROSS CENTERLINES TO BE SYMMETRICAL	STATUS: PRODUCTION		EASTERN ACOUSTIC WORKS ONE MAIN STREET WHITINSVILLE, MA 01588 USA
		APPROVALS	DATE	
THIS DRAWING IS THE PROPERTY OF EAW AND SHALL NOT BE COPIED, REPRODUCED, OR USED AS THE BASIS FOR MANUFACTURE OR SALE OF APPARATUS WITHOUT WRITTEN AUTHORIZATION. DO NOT SCALE DRAWING.		DRAWN: JRM	1/13/97	CABINET/FINISHED/JF50S LEFT [MECHANICAL SPECIFICATION]
		CHECKED: JWB	2/4/97	
		DES ENG: JR	2/5/97	A SHEET 1 OF 1 SCALE: 1 TO 6
		MFG ENG: JS	2/2/97	DRAWING NUMBER: 510453 REVISION: 2