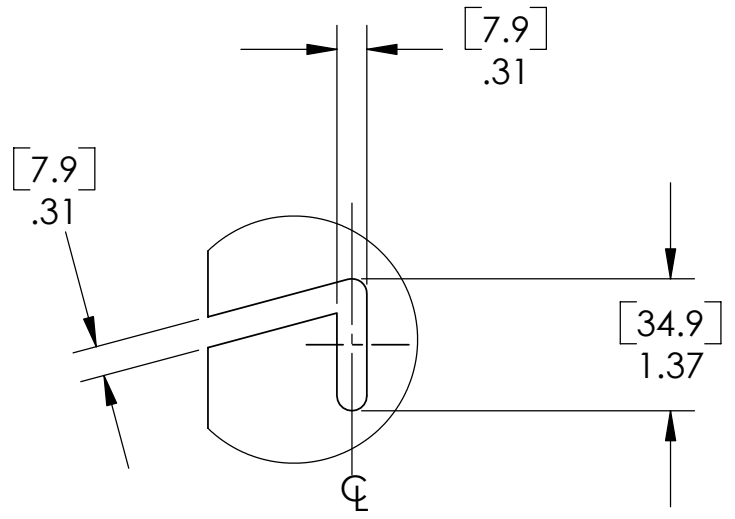
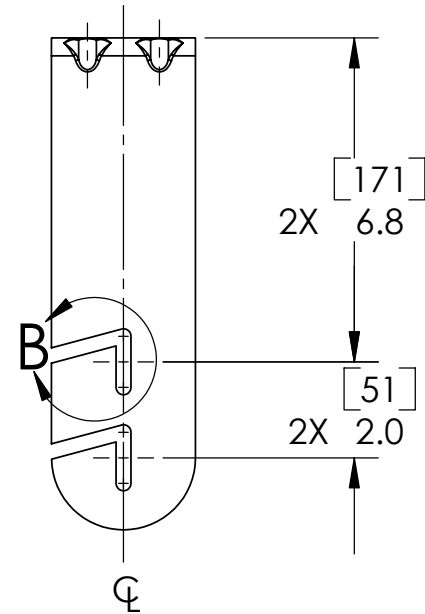
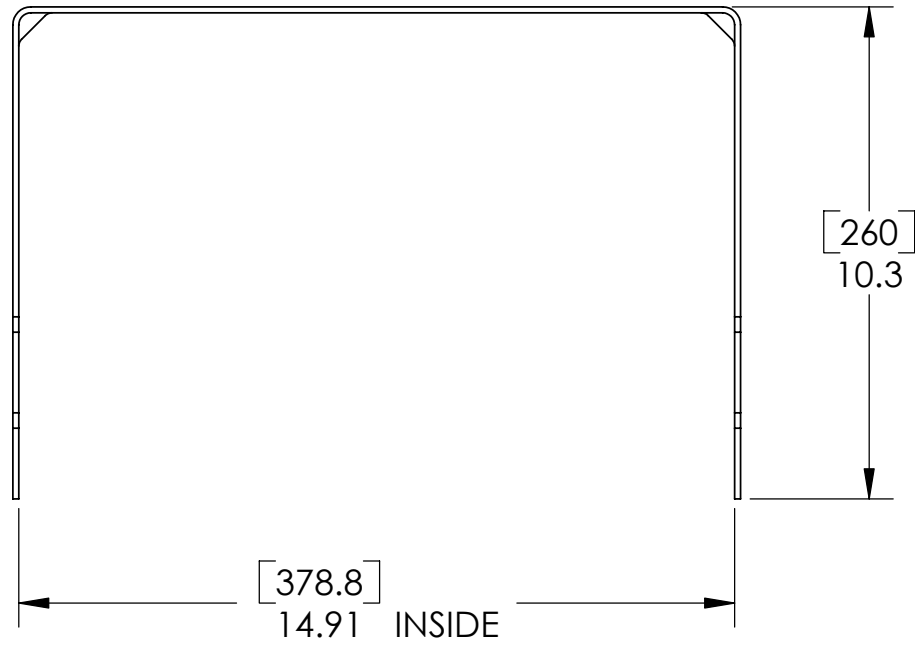
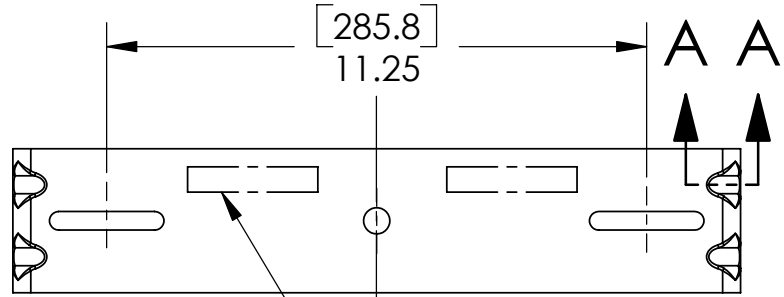
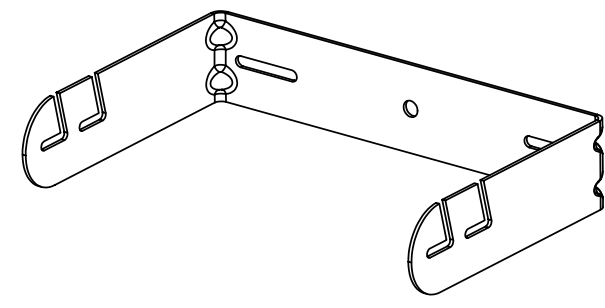


NOTES:

2. FINISH: DUPONT EFB-504-SO RAVEN BLACK POWDERCOAT, OR SHERWIN WILLIAMS POWDURA EPOXY POWDERCOAT OR MORTON 10-7068 VISTA BLACK POWDERCOAT.

REVISIONS		
REV	DESCRIPTION	APPR / DATE
1	NEW ISSUE PER DSR WHT5085 JAB 7/22/04	KFH 7/28/04 TSD 7/28/04
2	MATERIAL WAS 11GA SS; 2X SLOT WAS 3X; ADDED Ø.55; 10.25 WAS 10.3; .33 WAS .3; .37 WAS .39; UPDATED FORMAT AND CHANGED TOLERANCE BLOCK PER DSRWHT5876 JFD 3/1/05	KFH 3/1/05 TSD 3/2/05
A	RELEASE TO PRODUCTION WITH THE FOLLOWING CHANGES: CHANGE 10.25 to 10.3, FULL R to 2X R FULL, 4X .33 to 4X .3, 4X.37 to 4X .4 SEE NOTE 5 to SEE NOTE 7, 1.34 to (1.34), 3.00 to 3.0, 2X 1.50 to 2X 1.5, , 6.75 to 6.8, 2X 2.00 to 2X 2.0 ADD CENTER LINE NOTES, (2X R.25) RENUMBER NOTES 3,4,5 to 5,6,7 AND ADD NEW NOTES 3 AND 4 PER DSRWHT6513 CWF 09-13-05	JFD 9/13/05 MJD 9/14/05
B	REVISED NOTE 7; ADDED NOTES 8 & 9 PER ECOWHT4249 JFD 6/15/06	SAO 7/5/06



DETAIL B
SCALE 1 : 2
4X

SECTION A-A

DOCUMENT CONTROL PER SPECIFICATION 4.5.201

<p>THIRD ANGLE PROJECTION</p> <p>THIS DRAWING IS THE PROPERTY OF EAW AND SHALL NOT BE COPIED, REPRODUCED, OR USED AS THE BASIS FOR MANUFACTURE OR SALE OF APPARATUS WITHOUT WRITTEN AUTHORIZATION. DO NOT SCALE DRAWING.</p>	<p>UNLESS OTHERWISE SPECIFIED: ALL DIMENSIONS ARE IN INCHES DUAL [MILLIMETERS] DIMENSIONS FOR REF ONLY</p> <p>TOLERANCE IN INCHES X.X ±.03 X.XX ±.015 X.XXX ±.005 FRACTIONS ±1/32 ANGLES ±1/2° [X.XX] = REF DIMS NO TOLERANCE IMPLIED</p> <p>TSC = THEORETICAL SHARP CORNER</p> <p>DIMENSIONS ACROSS CENTERLINES TO BE SYMMETRICAL</p>	STATUS PRODUCTION		<p>EASTERN ACOUSTIC WORKS ONE MAIN STREET WHITINSVILLE, MA 01588 USA</p>	
		APPROVALS			DATE
		DRAWN: JAB	7/22/04		
		CHECKED: JFD	9/15/05		
DES ENG: MJD	9/15/05		<p>TITLE: BRACKET/WALLMOUNT 60 SERIES</p>		
MFG ENG: MD	9/15/05				
DWG. NO. 0012361 QC			REV B	SCALE: 1:1	