

NOTES:

2. FINISH: DUPONT EFB-504-SO RAVEN BLACK POWDERCOAT, OR SHERWIN WILLIAMS POWDURA EPOXY POWDERCOAT OR MORTON 10-7068 VISTA BLACK POWDERCOAT.

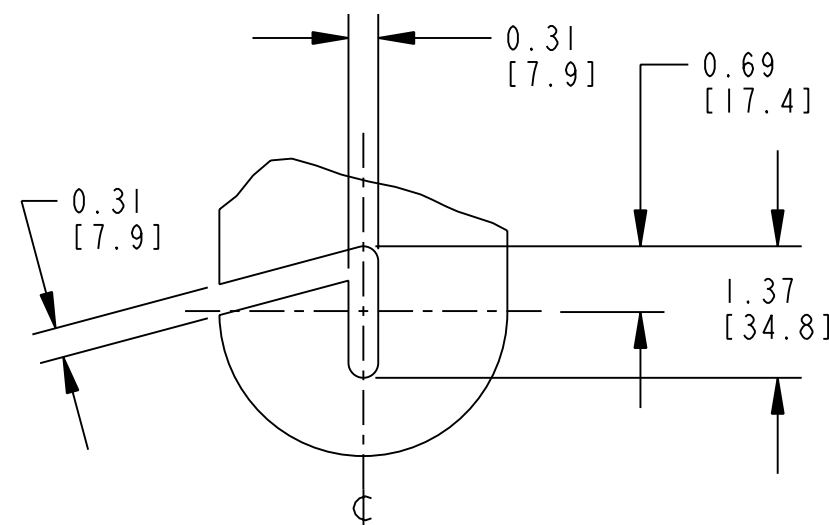
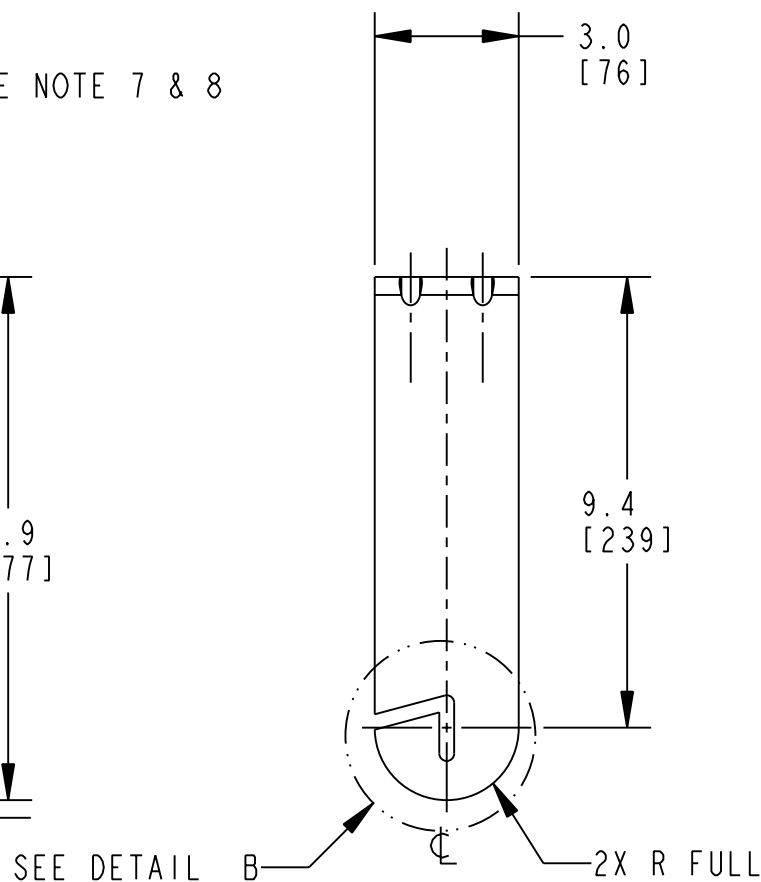
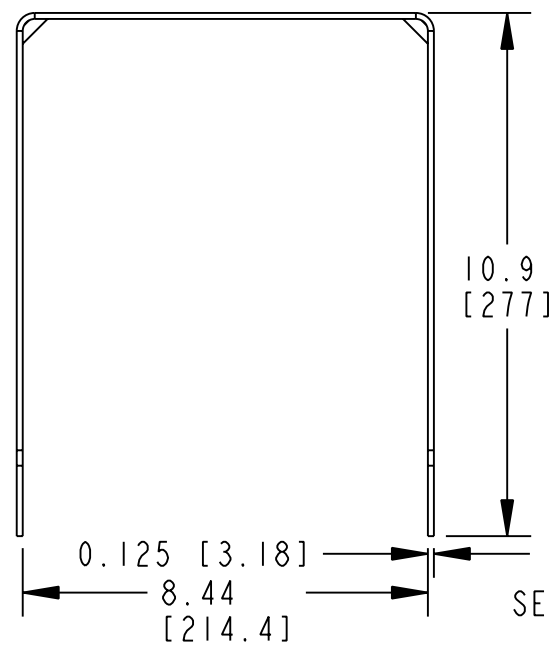
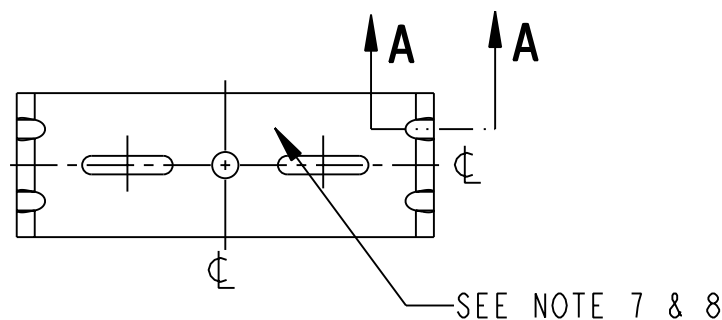
7. EAW PART NUMBER, CURRENT EAW REVISION AND DATE MANUFACTURED TO BE STAMPED, LABELED OR PERMANENTLY MARKED WHERE SHOWN IN A CONTRASTING COLOR. LETTERS TO BE .125 [3.18] TALL MINIMUM.

8. SUPPLIER I.D. TO BE PERMANENTLY MARKED WHERE SHOWN.



SECTION A-A
SCALE 0.500

REV	DESCRIPTION	APVD/DATE
1	NEW ISSUE PER DSRWHT5092 JAB 7/23/04	KFH 7/29/04 TSD 7/28/04
2	MATERIAL WAS 11GA SS; DETAIL "B" WAS 4X; .33 WAS .3; .37 WAS .39; 10.89 WAS 10.9; UPDATED FORMAT; RENAMED YOKE PER DSRWHT5876 JFD 3/1/05	KFH 3/1/05 TSD 3/2/05
3	CHANGED WIDTH FROM 7.50 TO 8.44, 2X R.16 TO 2X R FULL, AND 1.34 TO (1.34) ADDED CENTER LINE NOTES, 2X R.25, AND 2X R.16. INSERTED NOTES 3 & 4 AND RE-NUMBERED NOTES. PER DSRWHT6445 CWF 08/17/05	KFH 12/16/05 ZC 12/16/05
A	RELEASED TO PRODUCTION FROM REV 3 WITH THE FOLLOWING CHANGES: CHANGED NOTE 1 FROM 8 GA (.125) TO 0.125 [3.18]. CHANGED NOTE 3 .25 TO 0.25 [6.4]. ADDED NOTE 8 AND 9. CHANGE DIM (1.34 [34.1]) TO (1.35 [34.2]) PER DSRWHT7105 CWF 03/02/06	KFH 4/12/06 MJD 4/13/06



DETAIL B
SCALE 0.500
2X

DOCUMENT CONTROL PER SPECIFICATION 4.5.201

<p>THIRD ANGLE PROJECTION</p>	<p>UNLESS OTHERWISE SPECIFIED: ALL DIMENSIONS ARE IN INCHES DUAL (MM) DIMENSIONS FOR REF ONLY</p> <p>TOLERANCE IN INCHES XX ± .03 X.XX ± .05 X.XXX ± .005 FRACTIONS ± 1/32 ANGLES ± 1/2</p> <p>(XXX) : REF DIMS NO TOLERANCE IMPLIED</p> <p>TSC : THEORETICAL SHARP CORNER</p> <p>DIMENSIONS ACROSS CENTERLINES TO BE SYMMETRICAL</p>	<p>STATUS: PRODUCTION</p>		<p>EAW EASTERN ACOUSTIC WORKS ONE MAIN STREET WHITINSVILLE, MA 01588 USA</p>
		<p>APPROVALS</p> <p>DATE</p>		
<p>THIS DRAWING IS THE PROPERTY OF EAW AND SHALL NOT BE COPIED, REPRODUCED OR USED AS THE BASIS FOR MANUFACTURE OR SALE OF APPARATUS WITHOUT WRITTEN AUTHORIZATION. DO NOT SCALE DRAWING.</p>	<p>DRAWN: J. BRADLEY</p> <p>CHECKED: KFH</p> <p>DES. ENG. MJD</p> <p>MFG. ENG. MD</p>	<p>3/2/06</p>		<p>SHEET 1 OF 1</p> <p>SCALE: 0.250</p>
		<p>4/19/06</p>		
		<p>4/19/06</p>		
<p>DRAWING NUMBER: 0012389 QC</p>				<p>REVISION: A</p>