



# TECHNICAL SPECIFICATIONS JF80

## FEATURES

- Ultra-compact passive two-way system
- 2x 6.5-in LF/1-in exit HF on Wave Guide Plate(tm)
- 100° x 80° coverage pattern
- High impact, high definition sound
- For portable use or permanent installation

## DESCRIPTION

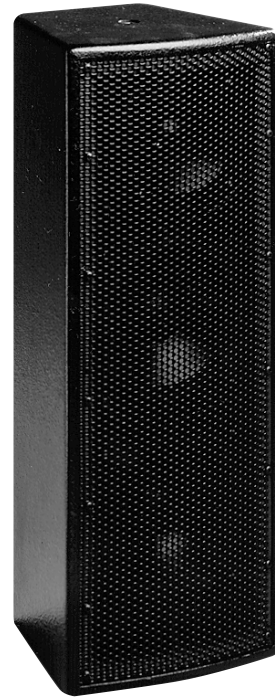
A 2-way full range system (passive LF/HF crossover) in a compact vented trapezoidal enclosure. Includes 2x 6.5-in woofers and a 1-in exit compression driver on a Wave Guide Plate™.

## APPLICATIONS

The JF80 is engineered for exceptional performance in the nearfield from a compact enclosure. Surprisingly high output, exceptional fidelity. Very effective as a fill/delay elements in larger overall systems or for foreground/background music reproduction. Six year warranty.

Applications include:

Band PA  
MultiMedia  
Small Retail Spaces  
Presentation Suite  
Small HOW's  
Theaters



## DESCRIPTIVE DATA

LF Subsystem	2x 6.5-in Cones
HF Subsystem	1-in Exit Compression Driver on Wave Guide Plate™
Configuration	2-way, Full Range
Powering	Passive LF/HF Crossover
Cabinet Type (shape)	Trapezoidal
Enclosure Materials	Baltic Birch Plywood
Finish	Black Catalyzed Polyurethane
Connectors	2x Neutrik NL4 Speakon 2-Terminal Barrier Strip
Suspension Hardware	(6) 1/4"-20 Threaded Mounting Points (1 each top and bottom plus 4 back for Omnimount Series 100), (2) 5/16"-18 Threaded Points for External Ultimate Brand Standmount Adapter
Grill	Vinyl Coated Perforated Steel
Options	980002 Wallmount Bracket

## Recommended Complementary Systems

Sub SB150/SB180

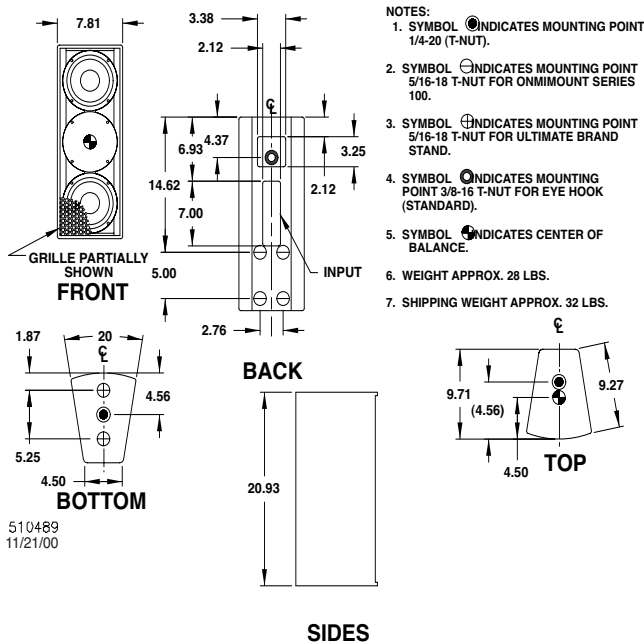
Dimensions	Inches	Millimeters
	Height	20.9375
Width	7.8125	198
Depth	9.75	248
Back Width	4.5	114
Trapezoid Angle	10 Degrees per Side	
Weights	Pounds	Kilograms
	Net Weight	25
Shipping Weight (per pair)	62	28.2





# TECHNICAL SPECIFICATIONS JF80

## DIMENSIONAL DRAWING



## ARCHITECTURAL SPECIFICATIONS

The two-way full range loudspeaker systems shall incorporate 2x 6.5-in LF transducers and a 1-in exit compression driver HF transducer.

The HF driver shall be loaded on an axis-symmetrical wave guide plate with a nominal coverage pattern of 100° (h) x 80° (v). An internal passive filter network shall provide fourth order acoustical crossover and system equalization.

System frequency response shall vary no more than  $\pm 3$  dB from 85 Hz to 18 kHz measured on axis. The loudspeaker shall produce a Sound Pressure Level (SPL) of 93 dB SPL on axis at 1 meter with a power input of 1 Watt, and shall be capable of producing a peak output of 125.6 SPL on axis at 1 meter. The loudspeaker shall handle 460 Watts of amplifier power (AES Standard) and shall have a nominal impedance of 8 Ohms.

The loudspeaker enclosure shall be trapezoidal in shape. It shall be constructed of 15mm thickness void-free cross-grain-laminated Baltic birch plywood and shall employ extensive internal bracing. It shall be finished in black catalyzed polyurethane. Input connectors shall be 2-terminal barrier strip and dual Neutrik NL4 Speakon. The following mounting/suspension shall be provided: two 1/4"-20 threaded mounting points (1 each top and bottom); four 1/4"-20 threaded mounting points on back to attach an Omnimount Series 100; two 5/16"-18 threaded mounting points (bottom) for external Ultimate Brand standmount adapter. The front of the loudspeaker shall be covered with a vinyl coated perforated steel grill backed with open cell foam to protect against dust.

The two-way full range loudspeaker shall be the EAW model JF80.

## NOMINAL DATA

<b>Frequency Response (1 Watt @ 1m)</b>	
$\pm 3$ dB	85Hz to 18kHz
-10 dB	50Hz
<b>Axial Sensitivity (dB SPL, 1 Watt @ 1m)</b>	
93	
<b>Impedance (Ohms)</b>	
8	
<b>Power Handling, AES Standard (Watts)</b>	
Full Range	460
<b>Calculated Maximum Output (dB SPL @ 1m)</b>	
Peak	125.6
Long Term	119.6
<b>Nominal Coverage Angle, -6 dB Points (degrees)</b>	
Horizontal	100
Vertical	80
<b>Recommended High-Pass Frequency</b>	
24 dB/Octave	70Hz

