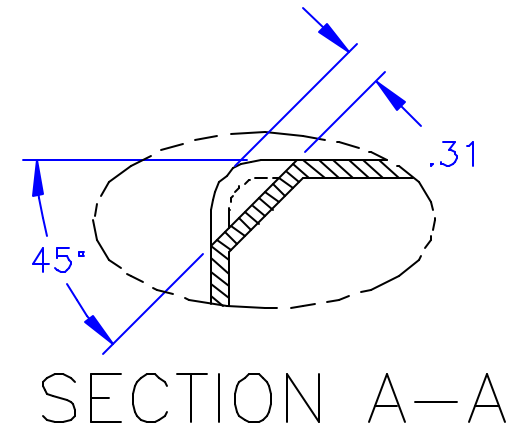
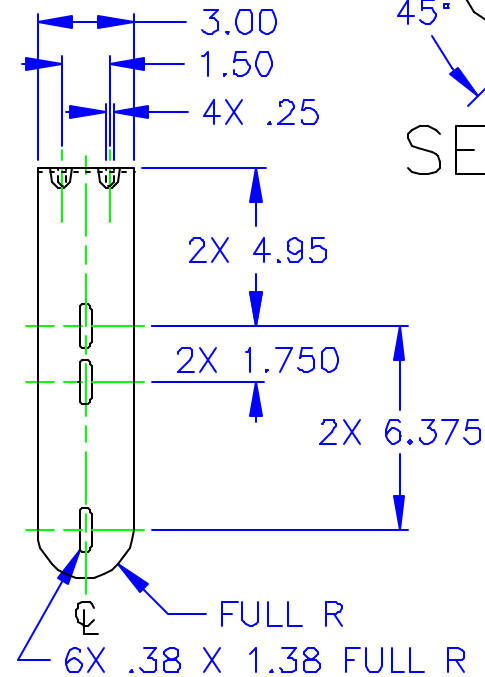
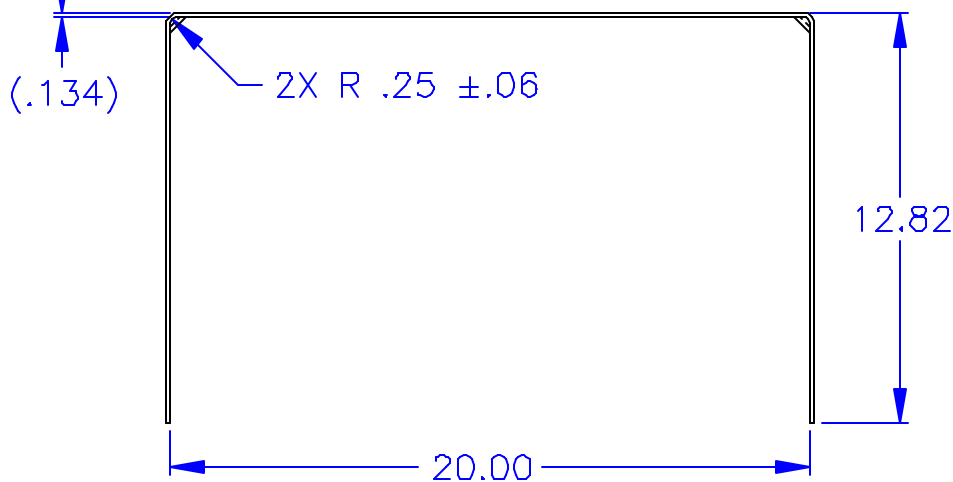
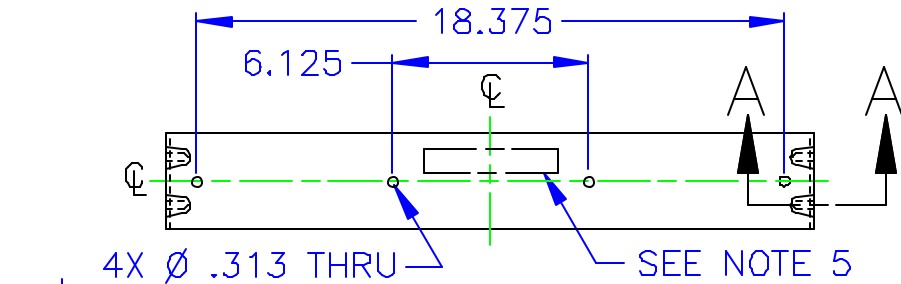


NOTES:

1. MATERIAL: 10 GA (.134) CRS
2. FINISH: BLACK MATTE POWDERCOAT.
3. REMOVE BURRS AND SHARP EDGES.
4. PARTS TO BE CLEANED AND FREE OF GREASE AND DEBRIS.
5. EAW PART NUMBER AND CURRENT REVISION TO BE STAMPED OR PRINTED IN AREA SHOWN WITH INDELIBLE WHITE INK.
6. REFER TO EAW MATERIAL SPECIFICATION 480455 FOR LABELING AND SHIPPING REQUIREMENTS.

REV	DESCRIPTION	APVD/DATE
1	CHANGED TITLE ALPHANUMERIC FROM JF100 PER ECO 5313 JRM 7/23/01	RS 7/25/01
B	ORACLE REVISION CONVERSION. DRAWING WAS REVISION 1 UPDATED PER ECO #5151 DM 9/12/01	JWB 9/12/01



DOCUMENT CONTROL PER SPECIFICATION 4.5.201

<p>THIRD ANGLE PROJECTION</p>	<p>UNLESS OTHERWISE SPECIFIED: ALL DIMENSIONS ARE IN INCHES</p> <p>TOLERANCE IN INCHES .X ± .1 .XX ± .03 .XXX ± .010 FRACTIONS ±1/32 ANGLES ±1/2°</p> <p>(X.XX) = REF DIMS NO TOLERANCE IMPLIED</p> <p>T.S.C.=THEORETICAL SHARP CORNER</p> <p>DIMENSIONS ACROSS CENTERLINES TO BE SYMMETRICAL</p>	<p>STATUS: PRODUCTION</p>		<p>EAW EASTERN ACOUSTIC WORKS ONE MAIN STREET WHITINSVILLE, MA 01588 USA</p>	
		<p>APPROVALS</p> <p>DRAWN: MFL</p> <p>CHECKED: DM</p> <p>DES ENG: JAR</p> <p>MFG ENG: MCB</p>	<p>DATE</p> <p>4/5/00</p> <p>4/26/00</p> <p>4/27/00</p> <p>4/28/00</p>	<p>TITLE: BRACKET/WALLMOUNT/ HDJF100WM</p>	
<p>THIS DRAWING IS THE PROPERTY OF EAW AND SHALL NOT BE COPIED, REPRODUCED, OR USED AS THE BASIS FOR MANUFACTURE OR SALE OF APPARATUS WITHOUT WRITTEN AUTHORIZATION. DO NOT SCALE DRAWING.</p>				<p>SCALE: 1 TO 6</p>	
				<p>DRAWING NUMBER: 606152</p>	
				<p>REVISION : B</p>	