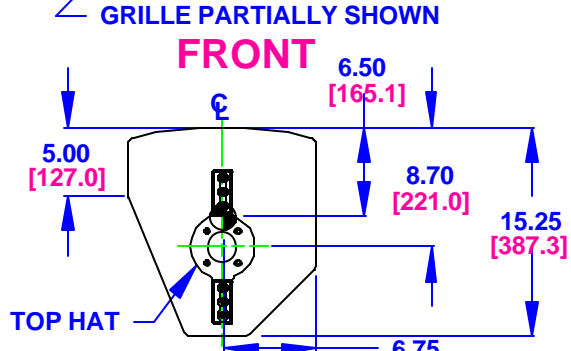
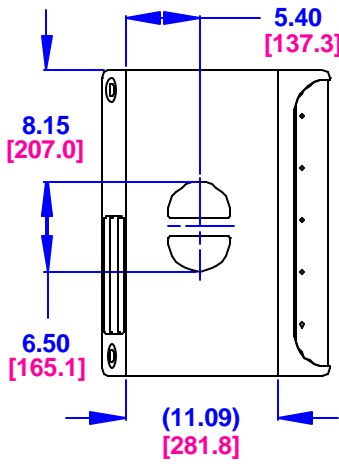
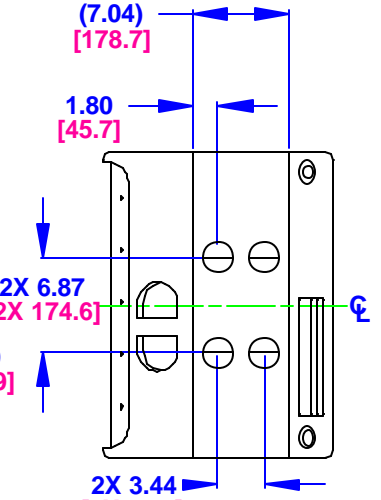
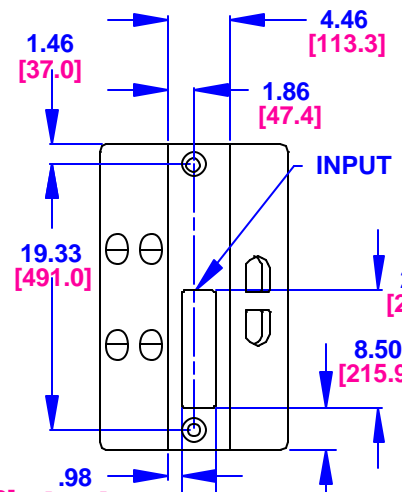
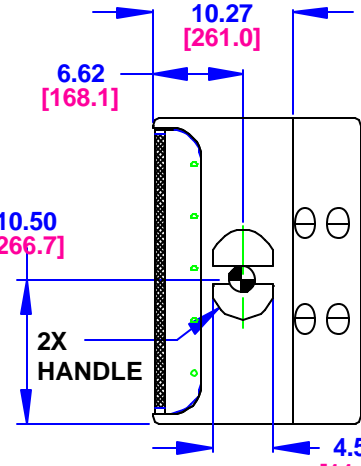
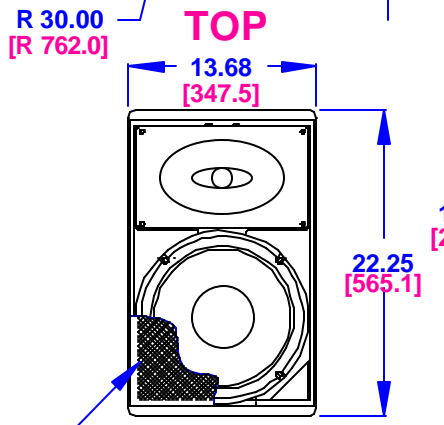
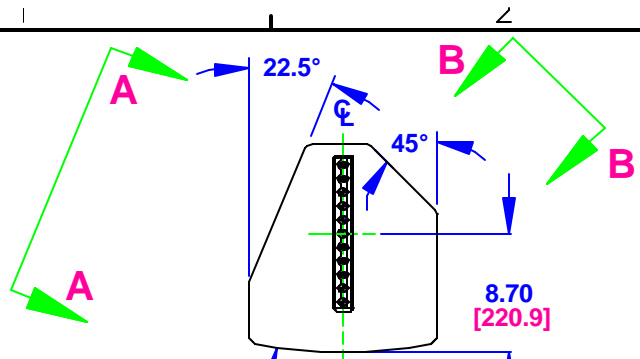
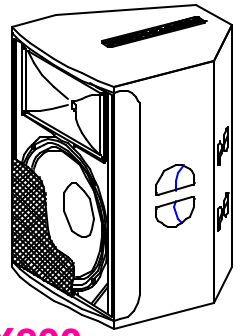


REV	DESCRIPTION	APVD/DATE
D	REVISED PER ECOWHT3733 DM 3/1/05	RS 3/9/05

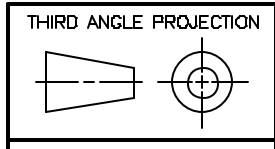


- NOTE**
1. SYMBOL INDICATES MOUNTING POINT, 3/8-16 THREADED HOLE (PI ANGLE)
  2. SYMBOL INDICATES MOUNTING POINT, 5/16-18 T-NUT FOR OMNIMOUNT SERIES 120.0.
  3. SYMBOL INDICATES 3.00 [76.2] X 1.35 [34.3] FLY TRACK.
  4. SYMBOL INDICATES 11.00 [279.4] X 1.35 [34.3] FLY TRACK.
  5. SYMBOL INDICATES CENTER OF BALANCE
  6. WEIGHT APPROX. 58.00 lb [26.1 kg]
  7. SHIPPING WEIGHT APPROX. 64.00 lb [28.8 kg]

DOCUMENT CONTROL PER SPECIFICATION 4.5.201



**JFX200**



UNLESS OTHERWISE SPECIFIED:  
ALL DIMENSIONS ARE INCHES  
[MILLIMETERS]

TOLERANCES  
LINEAR ± 0.13 in / ± 3.3 mm  
ANGLES ± 1°

(x.xx) - REF DIMS  
NO TOLERANCE IMPLIED

TSC=THEORETICAL SHARP CORNER  
DIMENSIONS ACROSS CENTERLINES  
TO BE SYMMETRICAL

STATUS: PRODUCTION	
APPROVALS	DATE
DRAWN: DM	5/17/02
CHECKED: JRM	8/12/02
DES ENG: J	8/12/02
MFG ENG: MB	8/13/02

EAW EASTERN ACOUSTIC WORKS	
ONE MAIN STREET WHITINSVILLE, MA 01568 USA	
TITLE: CABINET/FINISHED/JFX200 [MECHANICAL SPECIFICATION]	
A	SHEET 1 OF 1
SCALE: 1 TO 14	
DRAWING NUMBER:	0002817
REVISION:	D

THIS DRAWING IS THE PROPERTY OF EAW AND SHALL NOT BE COPIED, REPRODUCED, OR USED AS THE BASIS FOR MANUFACTURE OR SALE OF APPARATUS WITHOUT WRITTEN AUTHORIZATION. DO NOT SCALE DRAWING.