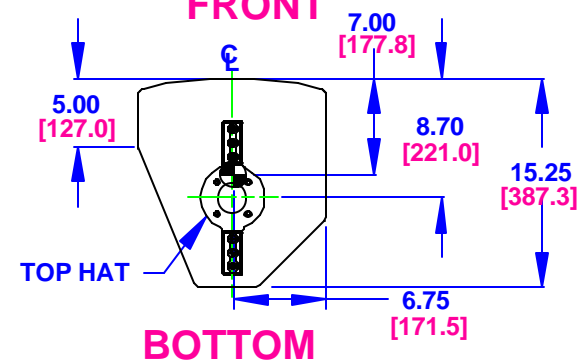
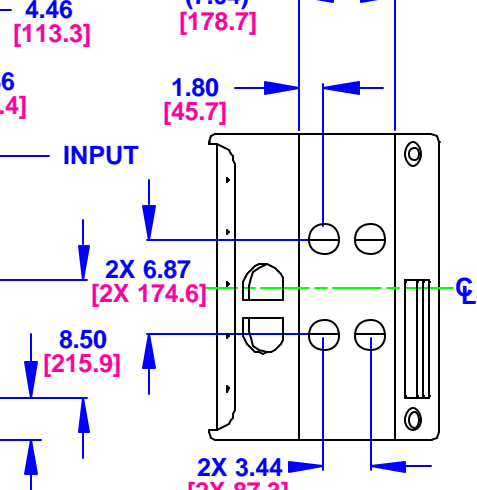
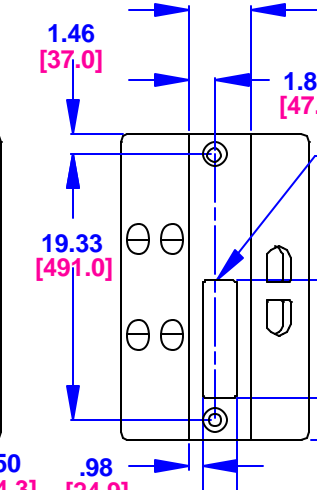
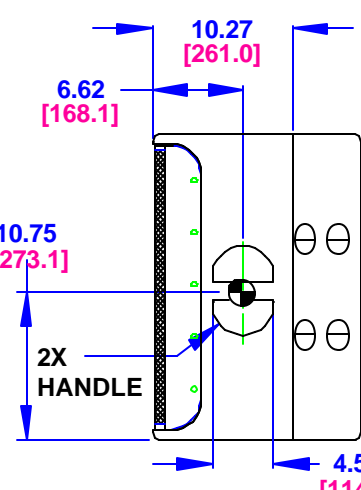
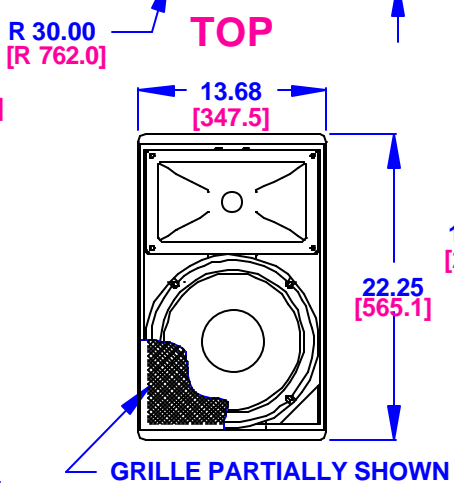
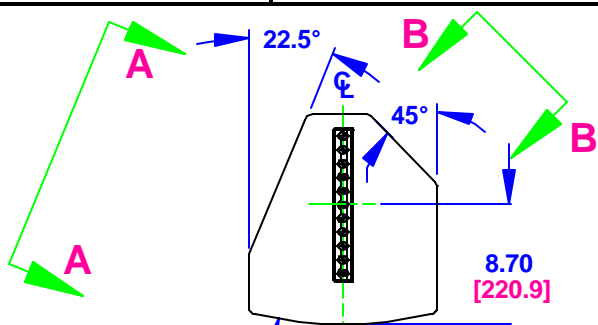
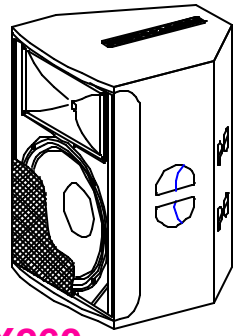


REV	DESCRIPTION	APVD/DATE
C	REVISED PER ECOWHT3733 DM 3/1/05	RS 3/9/05



- NOTE**
1. SYMBOL INDICATES MOUNTING POINT, 3/8-16 THREADED HOLE (PI ANGLE)
 2. SYMBOL INDICATES MOUNTING POINT, 5/16-18 T-NUT FOR OMNIMOUNT SERIES 120.0.
 3. SYMBOL INDICATES 3.00 [76.2] X 1.35 [34.3] FLY TRACK.
 4. SYMBOL INDICATES 11.00 [279.4] X 1.35 [34.3] FLY TRACK.
 5. SYMBOL INDICATES CENTER OF BALANCE
 6. WEIGHT APPROX. 58.00 lb [26.1 kg]
 7. SHIPPING WEIGHT APPROX. 64.00 lb [28.8 kg]

DOCUMENT CONTROL PER SPECIFICATION 4.5.201



JFX260

THIRD ANGLE PROJECTION 	UNLESS OTHERWISE SPECIFIED: ALL DIMENSIONS ARE INCHES [MILLIMETERS] TOLERANCES LINEAR ± 0.13 in / ± 3.3 mm ANGLES ± 1° (X.XX) = REF DIMS NO TOLERANCE IMPLIED TSC=THEORETICAL SHARP CORNER DIMENSIONS ACROSS CENTERLINES TO BE SYMMETRICAL	STATUS: PRODUCTION		EASTERN ACOUSTIC WORKS ONE MAIN STREET WHITINSVILLE, MA 01568 USA
		APPROVALS DRAWN: DM CHECKED: JRM DES ENG: JR MFG ENG: MB	DATE 7/9/02 8/12/02 8/12/02 8/13/02	
THIS DRAWING IS THE PROPERTY OF EAW AND SHALL NOT BE COPIED, REPRODUCED, OR USED AS THE BASIS FOR MANUFACTURE OR SALE OF APPARATUS WITHOUT WRITTEN AUTHORIZATION. DO NOT SCALE DRAWING.			SHEET 1 OF 1 SCALE: 1 TO 14	
			DRAWING NUMBER: 0002810 REVISION: C	