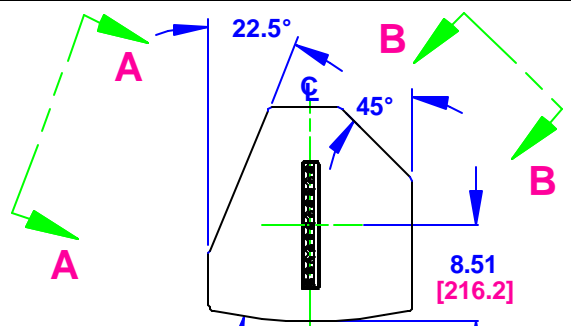
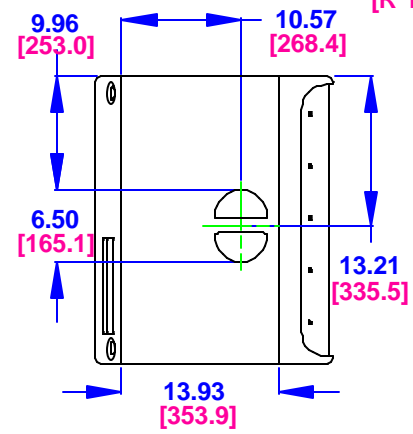


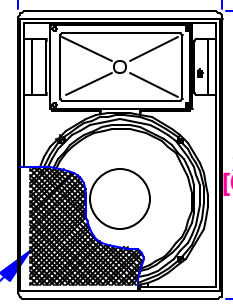
REV	DESCRIPTION	APVD/DATE
C	REVISED PER ECOWHT3733 DM 3/2/05	RS 3/9/05



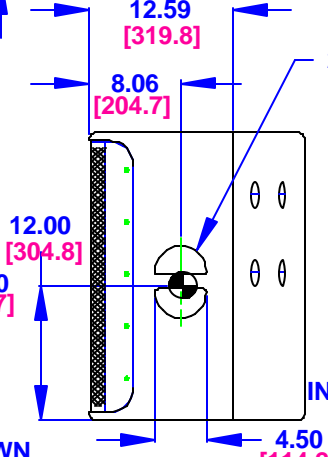
TOP



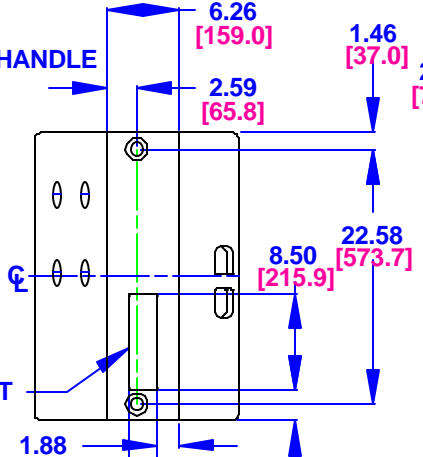
VIEW A-A



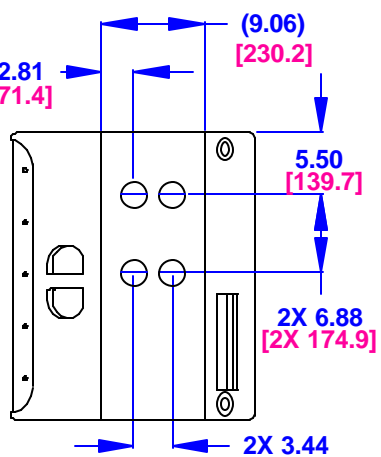
FRONT



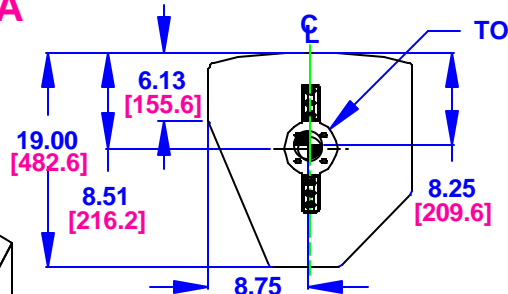
RIGHT SIDE



BACK



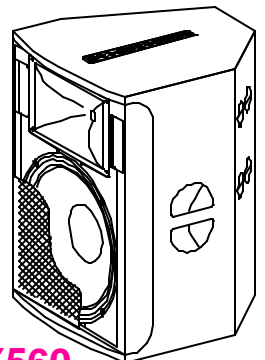
VIEW B-B



BOTTOM

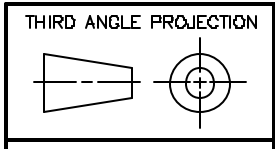
NOTES:

1. SYMBOL INDICATES MOUNTING POINT, 3/8-16 THREADED HOLE (PI ANGLE)
2. SYMBOL INDICATES MOUNTING POINT, 5/16-18 T-NUT FOR OMNIMOUNT SERIES 120.0.
3. SYMBOL INDICATES 3.00 [76.2] X 1.35 [34.3] FLY TRACK.
4. SYMBOL INDICATES 11.00 [279.4] X 1.35 [34.3] FLY TRACK.
5. SYMBOL INDICATES CENTER OF BALANCE.
6. WEIGHT APPROX. 81.00 lb [36.5 kg]
7. SHIPPING WEIGHT APPROX. 90.00 lb [40.5 kg]



JFX560

DOCUMENT CONTROL PER SPECIFICATION 4.5.201



THIS DRAWING IS THE PROPERTY OF EAW AND SHALL NOT BE COPIED, REPRODUCED, OR USED AS THE BASIS FOR MANUFACTURE OR SALE OF APPARATUS WITHOUT WRITTEN AUTHORIZATION. DO NOT SCALE DRAWING.

UNLESS OTHERWISE SPECIFIED: ALL DIMENSIONS ARE INCHES [MILLIMETERS]

TOLERANCES
LINEAR ± 0.13 in / ± 3.3 mm
ANGLES $\pm 1^\circ$

(X.XX) - REF DIMS
NO TOLERANCE IMPLIED
TSC-THEORETICAL SHARP CORNER
DIMENSIONS ACROSS CENTERLINES TO BE SYMMETRICAL

STATUS: PRODUCTION	
APPROVALS	DATE
DRAWN: DM	5/20/02
CHECKED: JRM	8/12/02
DES ENG: JR	8/12/02
MFG ENG: MB	8/13/02

EAW EASTERN ACOUSTIC WORKS
ONE MAIN STREET
WHITINSVILLE, MA 01588 USA

TITLE:
CABINET/FINISHED/JFX560
[MECHANICAL SPECIFICATION]

A	SHEET 1 OF 1	SCALE: 1 TO 17
DRAWING NUMBER: 0002881		REVISION: C