



SPECIFICATIONS JFX88

FEATURES

- Minimally sized for smallest venues and lowest profile applications
- HF compression driver and vented LF for fully professional performance
- Wave Guide Plate™ optimizes HF pattern for near field applications
- Asymmetric enclosure provides multiple mounting angles
- Pole mount cup plus U-bracket & Omnimount® Series 100 or similar mounting points
- Passive crossover for easy operation and economical powering

DESCRIPTION

The JFX88 is a 2-way ultra-compact multi-use loudspeaker. Its multi-functional design adds considerably to its value as a full-range loudspeaker. Combining high output and natural reproduction, it is specifically outfitted to serve in a variety of both portable and permanent applications. The asymmetric enclosure provides typical angles needed for ceiling and wall mounting as well as for stage monitor operation. For permanent installation, enclosure hardware includes mounting points for an optional U-bracket and an Omnimount® Series 100 or similar bracket. A pole mount cup is provided for portable use. The JFX88 is particularly suitable as a nearfield main loudspeaker or as a fill/delay element in larger systems. Its wide angle projection makes audience coverage easy. While the JFX88 is well suited as is for many applications, the addition of a subwoofer expands its capabilities for more demanding applications such as for small houses of worship, theaters, and band PA. Six year warranty.

APPLICATION

- Portable systems or permanent installations
- Wall and ceiling mountings
- Very low profile appearance
- Main PA reinforcement in small spaces
- Under balcony / stage lip / delay fill
- A/V and/or surround sound installations
- Voice & F/X reinforcement in themed attractions

PERFORMANCE

Frequency Response (1 W @ 1 m)		
±3 dB	115 Hz	to 20 kHz
-10 dB	70 Hz	
Axial Sensitivity (dB SPL, 1 W @ 1 m)		
Full Range	94	
Impedance (Ohms)		
Full Range	8	
Power Handling (Watts, continuous)		
Full Range	300	



Calculated Maximum Output (dB SPL @ 1 m)

Full Range Peak	125
Full Range Long Term	119

Nominal Coverage Angle / -6 dB points (degrees)

Conical	100
---------	-----

PHYSICAL

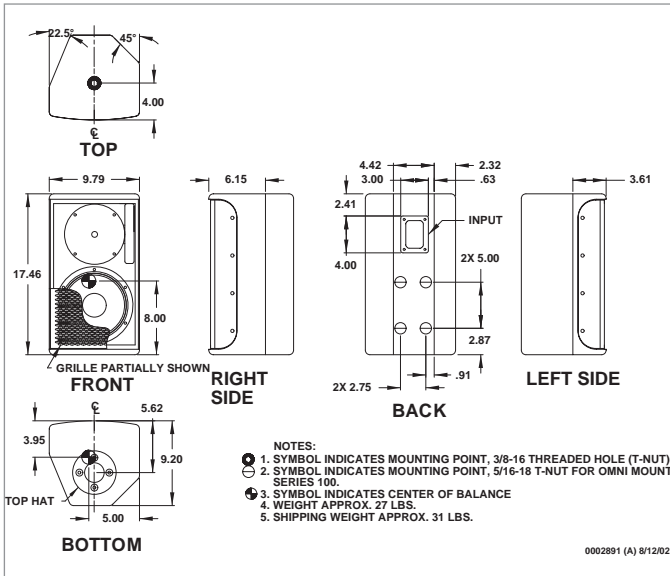
Part Number	0001753	
System Configuration	2-way, full-range	
Powering	Passive LF/HF crossover	
LF Subsystem	1x 8-in, vented	
HF Subsystem	1x 1-in exit/1.4-in voice coil compression driver on Wave Guide Plate™	
Recommended High-Pass Frequency (24 dB/octave)	70 Hz	
Enclosure Materials	Exterior grade Baltic birch plywood	
Finish	Wear resistant textured black paint	
Connectors	2x Neutrik NL4 Speakon	
Hardware	Pole mount cup (bottom); 4x 5/16"-18 threaded mounting points for Omnimount Series 100 (rear); 2x 3/8"-16 threaded mounting/suspension points (1 each top and bottom) for wall mount bracket	
Grille	Powder coated perforated steel, foam backed	
Dimensions	inches	millimeters
Height	17.46	443
Width (front)	9.79	249
Width (rear)	4.42	112
Depth	9.20	234
Weights	pounds	kilograms
Net Weight	27	12.3
Shipping Weight	31	14.1





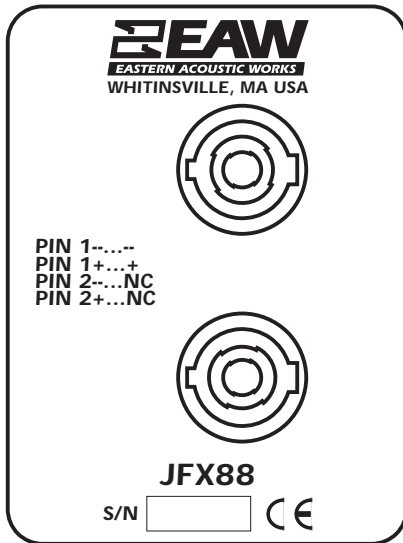
SPECIFICATIONS JFX88

DIMENSIONAL DRAWING



Manufacturing tolerances are +/- 0.13 and +/- 1°

INPUT PANEL



A & E SPECIFICATIONS

The 2-way full-range loudspeaker shall incorporate an 8-in LF cone and a 1.4-in voice coil HF compression driver. The LF cone shall be mounted in a vented enclosure tuned for optimum low frequency response. The HF driver shall be loaded on an axis-symmetrical, 1-in exit Wave Guide Plate™ with a nominal conical beamwidth of 100 degrees. An internal passive filter network shall provide all acoustical crossover and system equalization requirements.

System frequency response shall vary no more than ± 3 dB from 115 Hz to 20 kHz measured on axis. The loudspeaker shall produce a sound pressure level of 94 dB SPL on axis at 1 meter with a power input of 1 watt, and shall be capable of producing a peak output of 125 dB SPL on axis at 1 meter. It shall handle 300 watts of amplifier power and shall have a nominal impedance of 8 ohms.

The loudspeaker enclosure shall be irregularly trapezoidal in shape. It shall be constructed of exterior grade Baltic birch plywood and shall employ extensive internal bracing. It shall be finished in wear-resistant textured black paint. Input connectors shall be 2x Neutrik NL4 Speakon wired in parallel. It shall include a pole mount cup for portable applications. One 3/8"-16 threaded mounting/suspension point shall be provided on the top and bottom of the enclosure. Four 5/16"-18 threaded mounting points for use with an Omnimount® Series 100 (or similar) shall be provided on the rear of the enclosure. The front of the loudspeaker shall be covered with a foam backed, powder coated perforated steel grille.

The 2-way full-range loudspeaker shall be the EAW model JFX88.

