


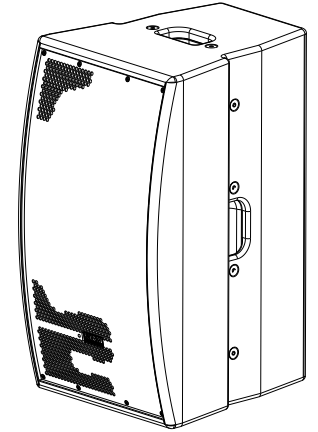


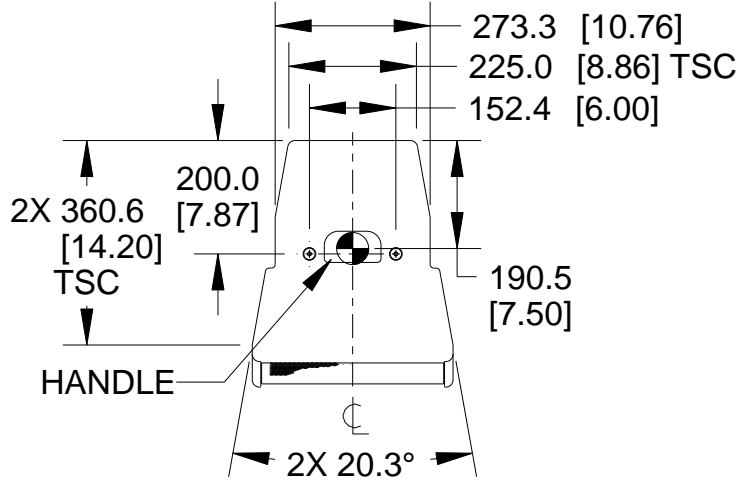
REV	CHANGE NUMBER	DATE
A	ECOWHT6973	10/8/10

**NOTES:**

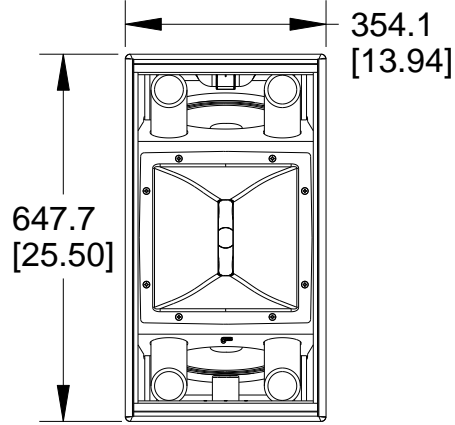
1. SYMBOL  INDICATES CENTER OF BALANCE.
2. SYMBOL  INDICATES MOUNTING POINT, M10 THREADED HOLE.
3. SYMBOL  INDICATES MOUNTING POINT, M10 THREADED HOLE FOR OMNIMOUNT 120.0 SERIES.
4. WEIGHT APPROX. 30 kg [66.0 lb]
5. SHIPPING WEIGHT APPROX. 34 kg [76.0 lb]



**KF364NT  
KF394NT**

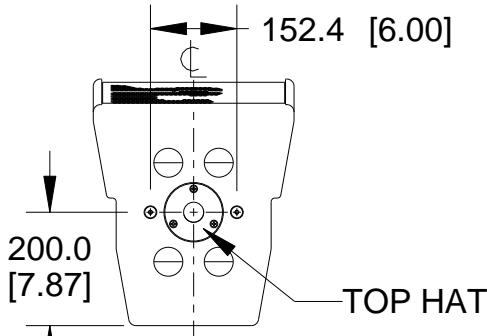


**TOP**

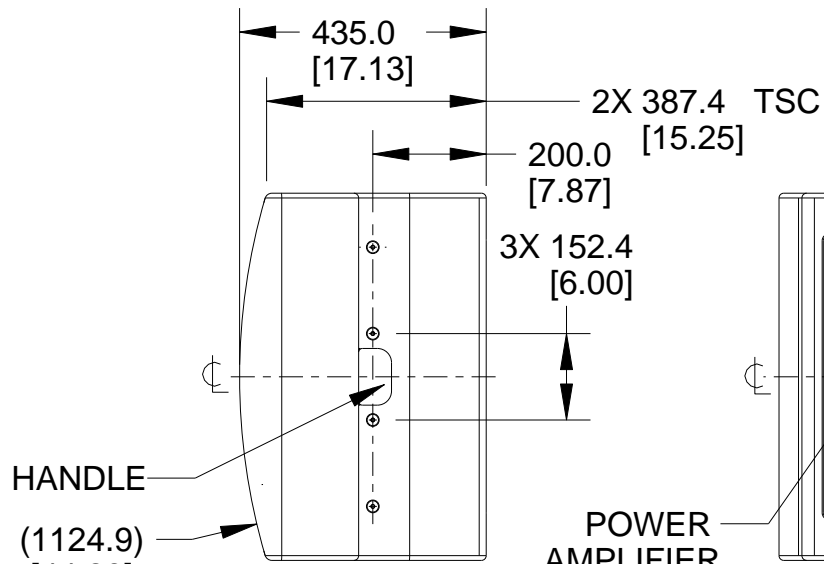


**FRONT**

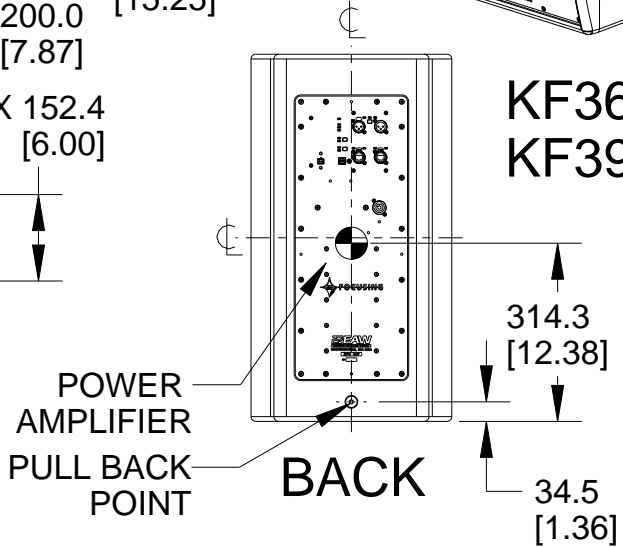
GRILLE NOT SHOWN FOR CLARITY



**BOTTOM**

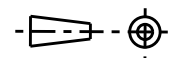


**RIGHT SIDE**  
DIMENSIONS APPLY TO BOTH SIDES



**BACK**

THIRD ANGLE PROJECTION



THE INFORMATION CONTAINED HEREIN IS PROPRIETARY AND CONFIDENTIAL PROPERTY OF LOUD TECHNOLOGIES, INC. ALL RIGHTS RESERVED

UNLESS OTHERWISE SPECIFIED:  
ALL DIMENSIONS ARE IN MILLIMETERS  
DUAL [INCHES] DIMENSIONS FOR REF ONLY

TOLERANCE IN MILLIMETERS  
LINEAR ± 3.3 mm / ± 0.13 in  
ANGLES ± 1°

(X.XX) = REF DIMS  
NO TOLERANCE IMPLIED

TSC = THEORETICAL SHARP CORNER

DIMENSIONS ACROSS CENTERLINES TO BE SYMMETRICAL

**EAW** www.eaw.com

TITLE:  
**DWG CUSTOMER  
KF364NT KF394NT  
[MECHANICAL SPECIFICATION]**

<b>A</b>	SHEET 1 OF 1	SCALE: 0.075
----------	--------------	-----------------

DRAWING NUMBER: 2034652-CD	REVISION: A
-------------------------------	----------------

PRO ENGINEER