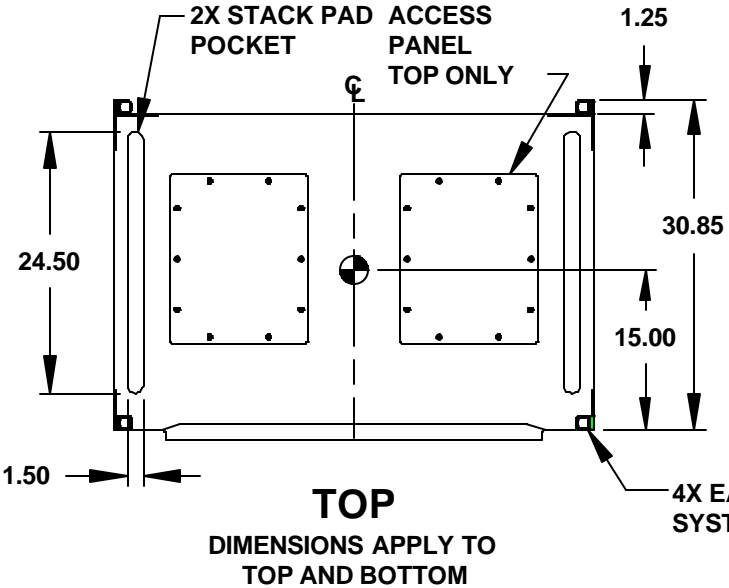
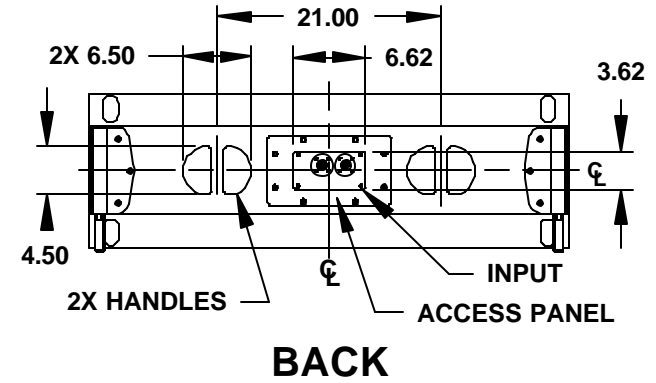
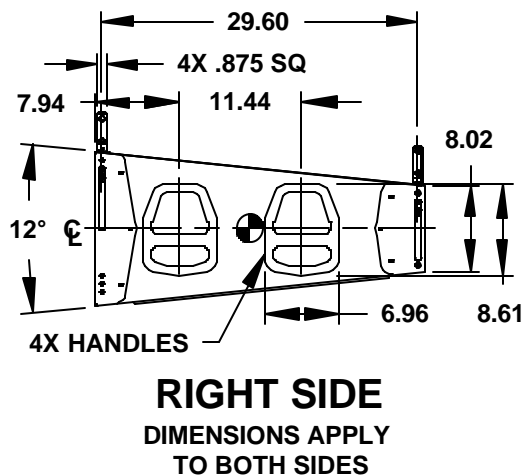
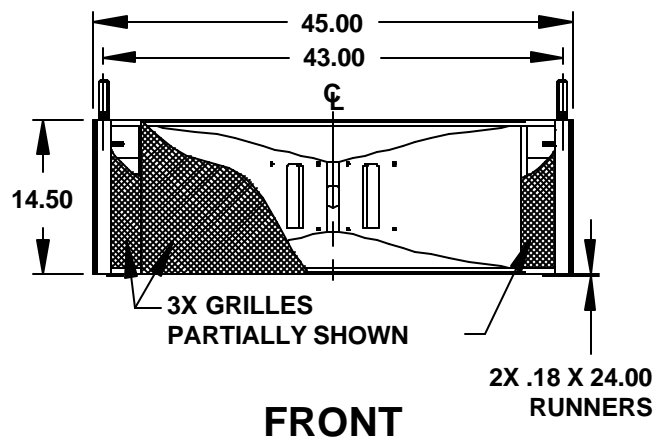
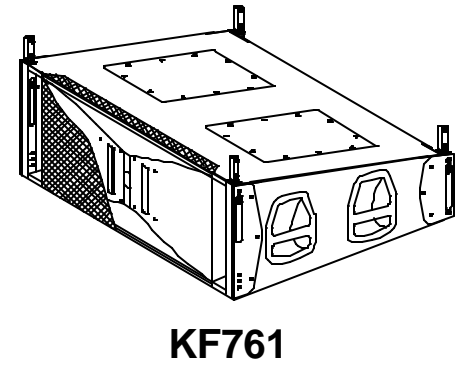


REV	DESCRIPTION	APVD/DATE
0	RELEASED FROM REC B PER DSR #01-843 DM 4/17/01	JRM 6/28/01
A	ORACLE REVISION CONVERSION DRAWING WAS REVISION 0 UPDATED PER ECO#5151 JH 7/24/01	SS 7/30/01



- NOTES:
1. SYMBOL INDICATES CENTER OF BALANCE.
  2. WEIGHT APPROX. 197 LBS.
  3. SHIPPING WEIGHT APPROX. 209 LBS.



DOCUMENT CONTROL PER SPECIFICATION 4.5.201

<p>THIRD ANGLE PROJECTION</p>	<p>UNLESS OTHERWISE SPECIFIED: ALL DIMENSIONS ARE IN INCHES</p> <p>TOLERANCE IN INCHES .XX ± .13 ANGLES ±1°</p> <p>(X.XX) = REF DIMS NO TOLERANCE IMPLIED</p> <p>T.S.C. - THEORETICAL SHARP CORNER</p> <p>DIMENSIONS ACROSS CENTERLINES TO BE SYMMETRICAL</p>	<p>STATUS: <b>RELEASE</b></p>		<p><b>EAW</b> EASTERN ACOUSTIC WORKS ONE MAIN STREET WHITINSVILLE, MA 01568 USA</p>	
		<p>APPROVALS</p> <p>DRAWN: MFL</p> <p>CHECKED: JRM</p> <p>DES ENG: JAR</p> <p>MFG ENG: DBD</p>	<p>DATE</p> <p>2/16/01</p> <p>6/28/01</p> <p>7/9/01</p> <p>7/8/01</p>		<p>TITLE: CABINET/FINISHED/BLACK/ KF761 [MECHANICAL SPECIFICATION]</p>
<p>THIS DRAWING IS THE PROPERTY OF EAW AND SHALL NOT BE COPIED, REPRODUCED, OR USED AS THE BASIS FOR MANUFACTURE OR SALE OF APPARATUS WITHOUT WRITTEN AUTHORIZATION. DO NOT SCALE DRAWING.</p>		<p><b>A</b> SHEET 1 OF 1</p>	<p>SCALE: 1 TO 18</p>	<p>DRAWING NUMBER: 509148</p>	<p>REVISION: A</p>

