
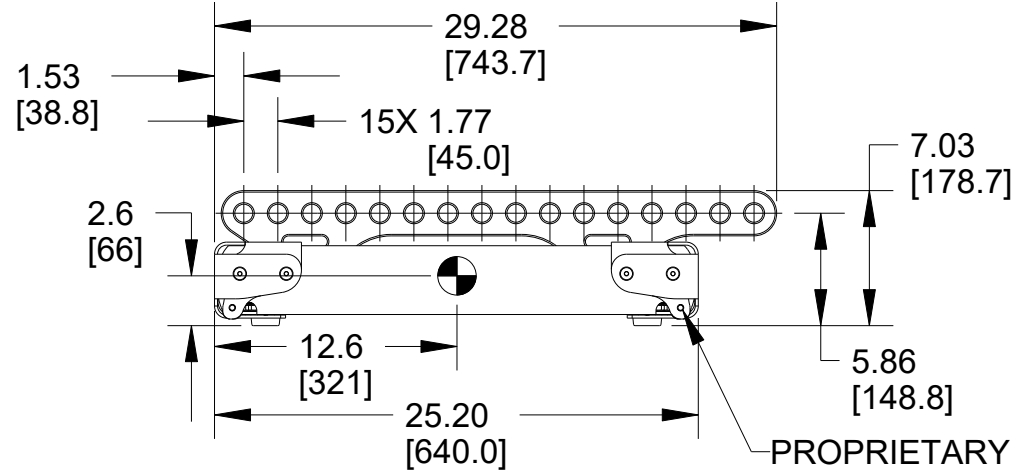
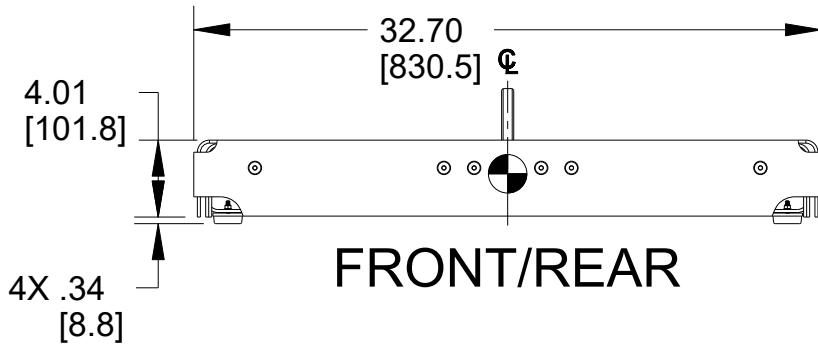


**NOTES:**

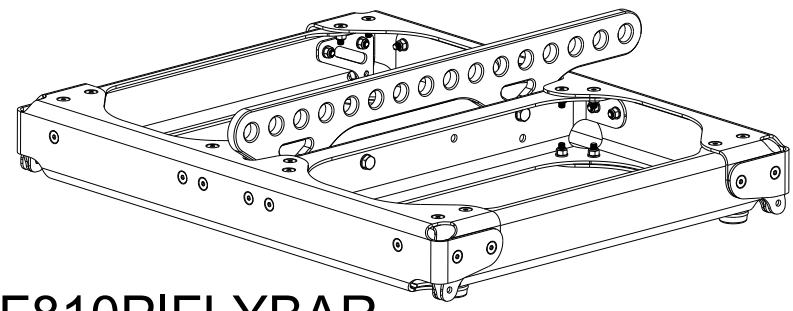
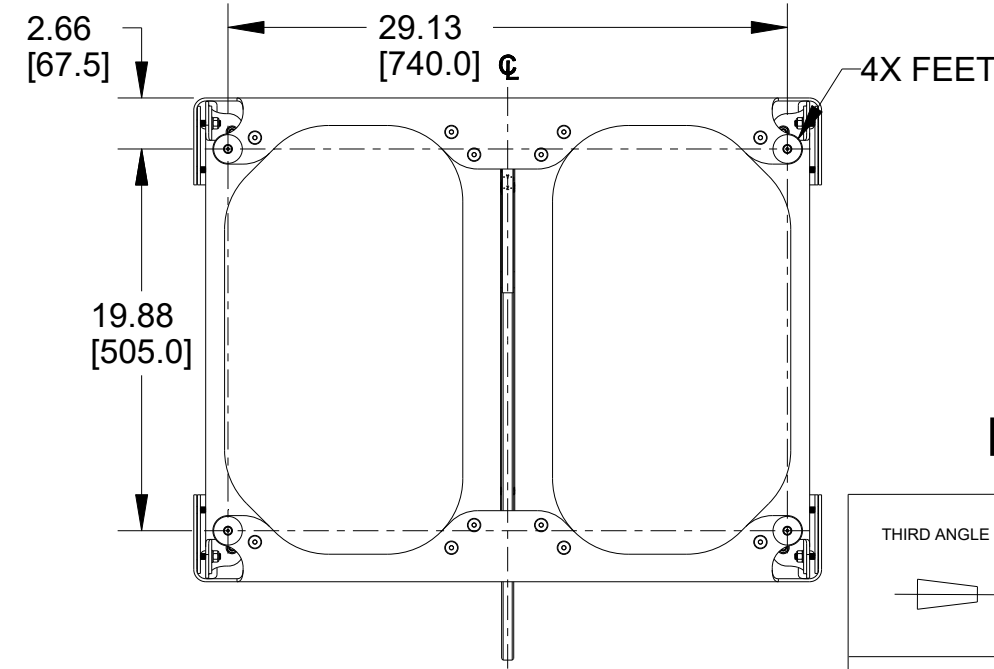
1. SYMBOL  INDICATES CENTER OF BALANCE
2. WEIGHT APPROXIMATELY 28 lb [13 kg]
3. SHIPPING WEIGHT APPROXIMATELY 41 lb [19 kg]

REV	CHANGE NUMBER	DATE
A	ECOEAW0249	7/12/19

C

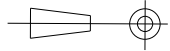


B



**KF810P|FLYBAR**

A

<p>THIRD ANGLE PROJECTION</p> 	<p>UNLESS OTHERWISE SPECIFIED: ALL DIMENSIONS ARE IN INCHES DUAL [MM] DIMENSIONS FOR REF ONLY</p> <p>TOLERANCE IN INCHES LINEAR <math>\pm 0.13</math> in / <math>\pm 3.3</math> mm ANGLES <math>\pm 1^\circ</math></p> <p>(X.XX) = REF DIMS NO TOLERANCE IMPLIED</p> <p>TSC = THEORETICAL SHARP CORNER</p> <p>DIMENSIONS ACROSS CENTERLINES TO BE SYMMETRICAL</p>	<p><b>EAW</b> www.eaw.com</p>	
		<p>TITLE: <b>DWG CUSTOMER KF810P FLYBAR</b></p>	
<p>THE INFORMATION CONTAINED HEREIN IS PROPRIETARY AND CONFIDENTIAL PROPERTY OF EAW ALL RIGHTS RESERVED</p>	<p>DRAWING NUMBER: <b>2070267-CD</b></p>	<p><b>A</b> SHEET 1 OF 1</p>	<p>SCALE: 0.100</p>
		<p>REVISION: <b>A</b></p>	

1

2

3

4

PTC CREO