
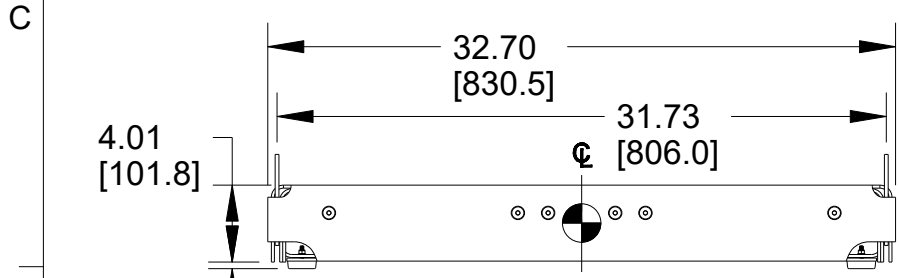


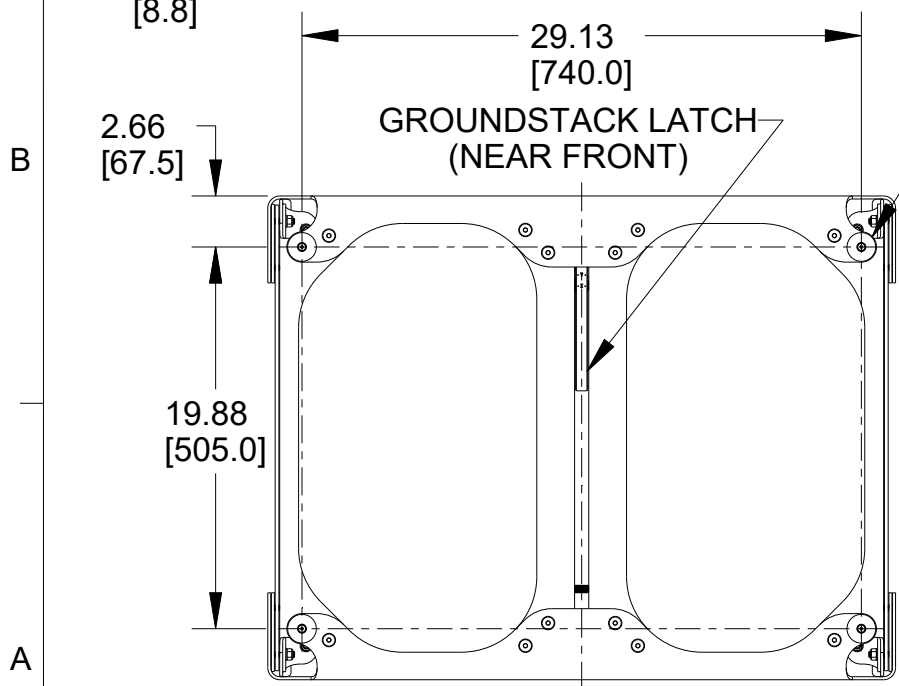
NOTES:

1. SYMBOL  INDICATES CENTER OF BALANCE
2. WEIGHT APPROXIMATELY 26 lb [12 kg]
3. SHIPPING WEIGHT APPROXIMATELY 39 lb [18 kg]

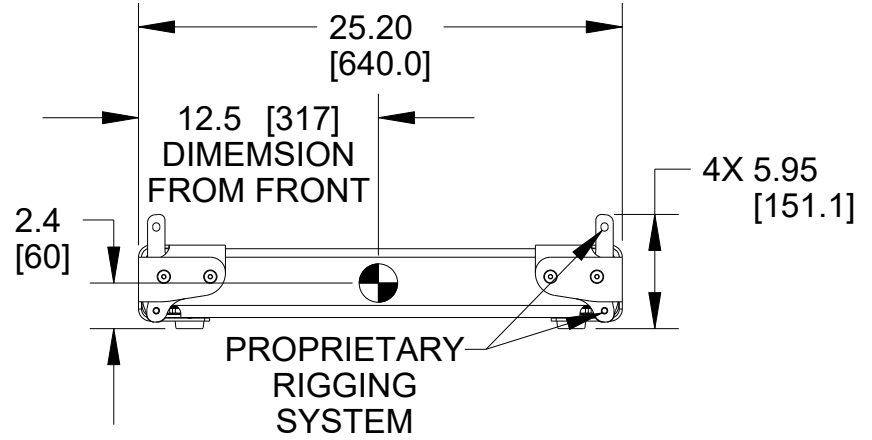
REV	CHANGE NUMBER	DATE
A	ECOEA0249	7/12/19



FRONT/REAR

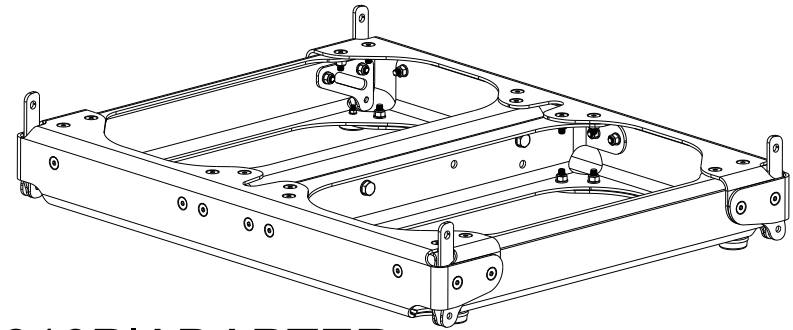


BOTTOM



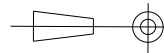
PROPRIETARY RIGGING SYSTEM

RIGHT SIDE DIMENSIONS APPLY TO BOTH SIDES



KF810P|ADAPTER

THIRD ANGLE PROJECTION



THE INFORMATION CONTAINED HEREIN IS PROPRIETARY AND CONFIDENTIAL PROPERTY OF EAW ALL RIGHTS RESERVED

UNLESS OTHERWISE SPECIFIED: ALL DIMENSIONS ARE IN INCHES DUAL [MM] DIMENSIONS FOR REF ONLY

TOLERANCE IN INCHES
 LINEAR ± 0.13 in / ± 3.3 mm
 ANGLES $\pm 1^\circ$

(X.XX) = REF DIMS
 NO TOLERANCE IMPLIED

TSC = THEORETICAL SHARP CORNER

DIMENSIONS ACROSS CENTERLINES TO BE SYMMETRICAL

EAW www.eaw.com

TITLE:
**DWG CUSTOMER
 KF810P ADAPTER**

A	SHEET 1 OF 1	SCALE: 0.100
	DRAWING NUMBER: 2070357-CD	

REVISION:
A