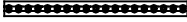

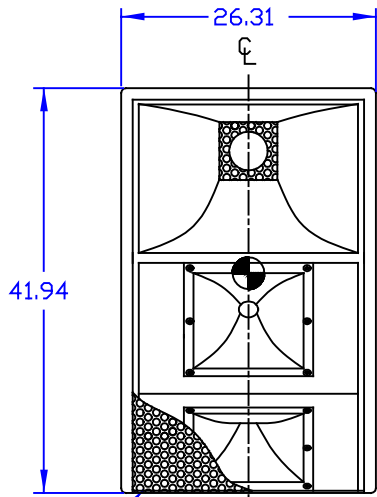
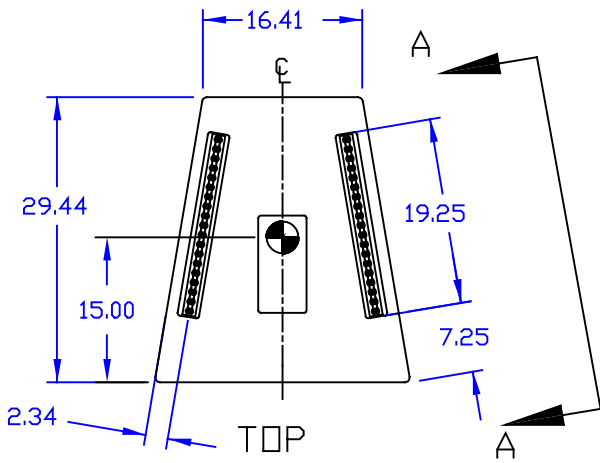


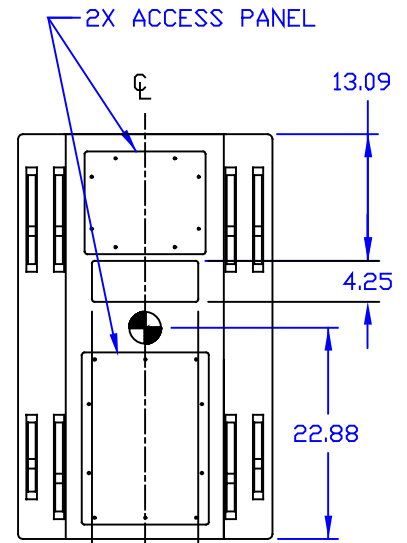
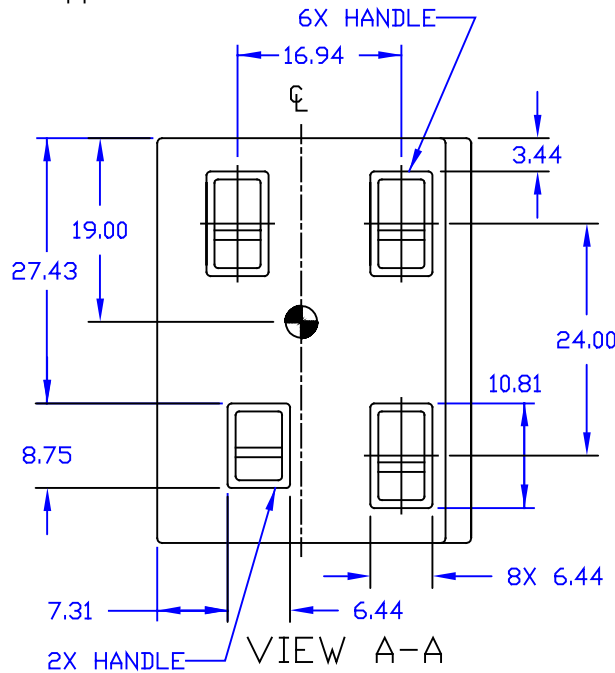
REV	DESCRIPTION	APVD/DATE
2	UPDATED DWG TO CURRENT STANDARDS PER ECD #4394 DM 2/11/00.	KFH 2/18/00

NOTES:

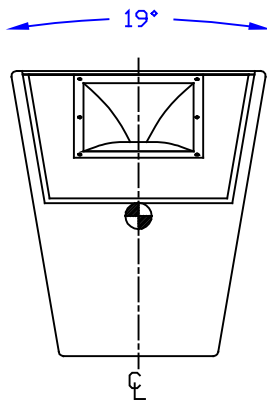
1. SYMBOL  INDICATES 19.00 X 1.35 FLYTRACK.
2. SYMBOL  INDICATES CENTER OF BALANCE.
3. WEIGHT APPROX. 210 LBS.
4. SHIPPING WEIGHT APPROX. 230 LBS.



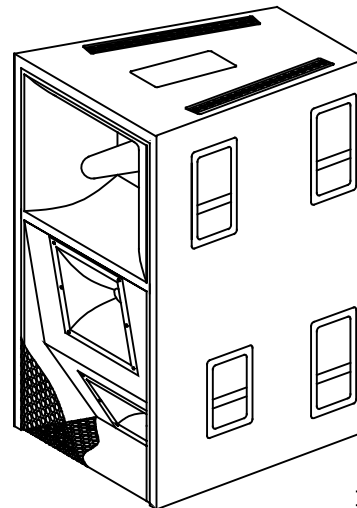
GRILLE PARTIALLY SHOWN  
FRONT



BACK

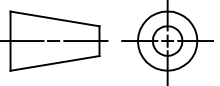



BOTTOM



KF855EF

DOCUMENT CONTROL PER SPECIFICATION 4.5.201

<p>THIRD ANGLE PROJECTION</p> 	<p>UNLESS OTHERWISE SPECIFIED, ALL DIMENSIONS ARE IN INCHES</p> <p>TOLERANCE IN INCHES .XX ± .13 ANGLES ±1</p> <p>(X.XX) = REF DIMS NO TOLERANCE IMPLIED</p> <p>T.S.C.=THEORETICAL SHARP CORNER</p> <p>DIMENSIONS ACROSS CENTERLINES TO BE SYMMETRICAL</p>	STATUS: PRODUCTION		 EASTERN ACOUSTIC WORKS ONE MAIN STREET WHITINSVILLE, MA 01588 USA
		APPROVALS	DATE	
		DRAWN: JRM	3/17/97	CABINET/FINISHED/ KF855EF [MECHANICAL SPECIFICATION]
		CHECKED: JWB	3/20/97	
		DES ENG: DWG	3/21/97	A
		MFG ENG: JAY S	3/22/97	SHEET 1 OF 1
				SCALE: 1 TO 20
				DRAWING NUMBER: 510354
				REVISION: 2