

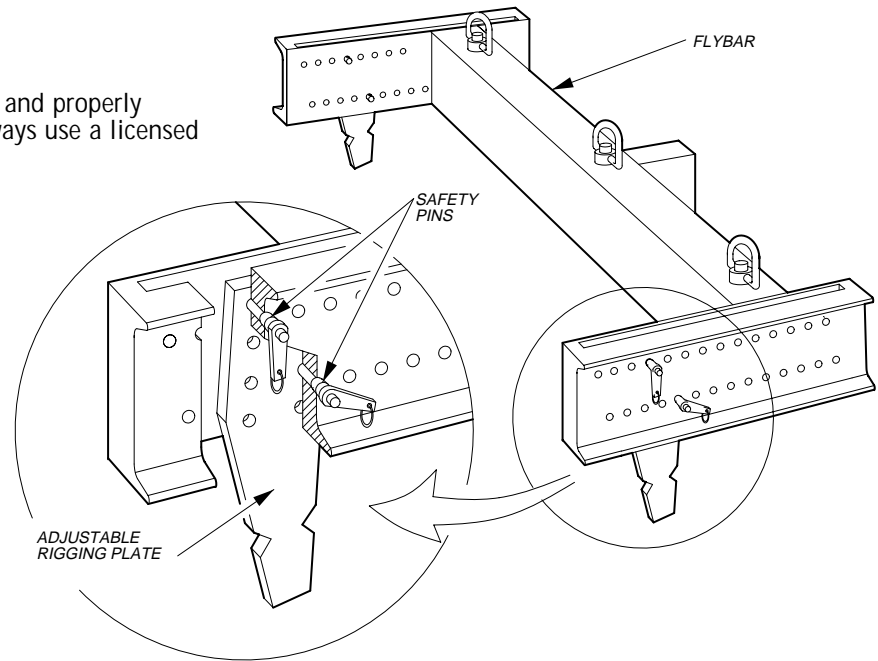


RIGGING HARDWARE TECH NOTE KF860

PROCEDURE

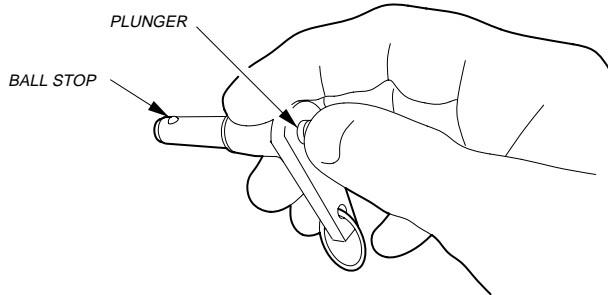
1

Hang the Flybar on an appropriate and properly installed chain motor or hoist. Always use a licensed rigger to install the chain motor.



2

Install Rigging Plates (angled edge forward) into the slots on each end of the Flybar. Align each Plate's top front and 3rd-from-the-top rear holes with the holes in the Flybar as shown. Fully insert two Safety Pins per Rigging Plate. Position both Rigging Plates an equal distance from the front of the Flybar. The tilt angle of the array can be adjusted by positioning the first Module forward or back on the Flybar.



To insert a Safety Pin into a hole, depress its rear plunger so that the two Ball Stops will recess into the pin body. Once it is fully inserted into the Module's End Bracket release the rear plunger, and the ball stops will lock the Safety Pin into place. A fully inserted Safety Pins will pass through the Flybar/End Bracket's outer rail, the Rigging Plate and the Flybar/End Bracket's inner rail.

LOAD RATING

Safe working load is 4000 lb./Module.

Calculated at 5:1 safety factor + pull tested.

Maximum column length is 10 Modules.

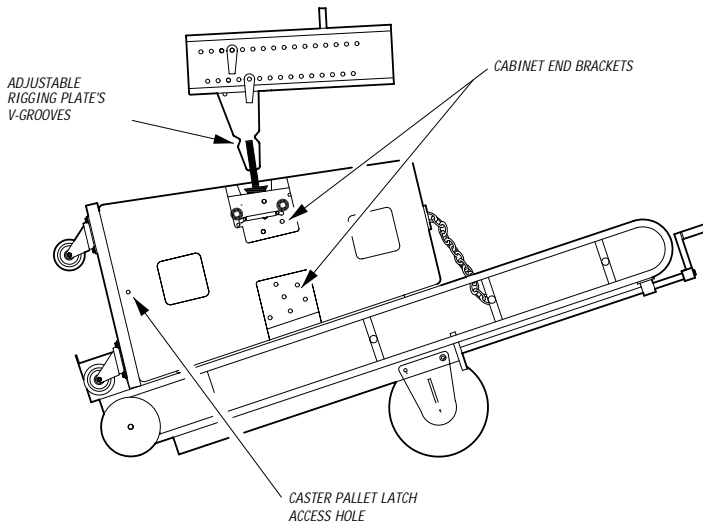
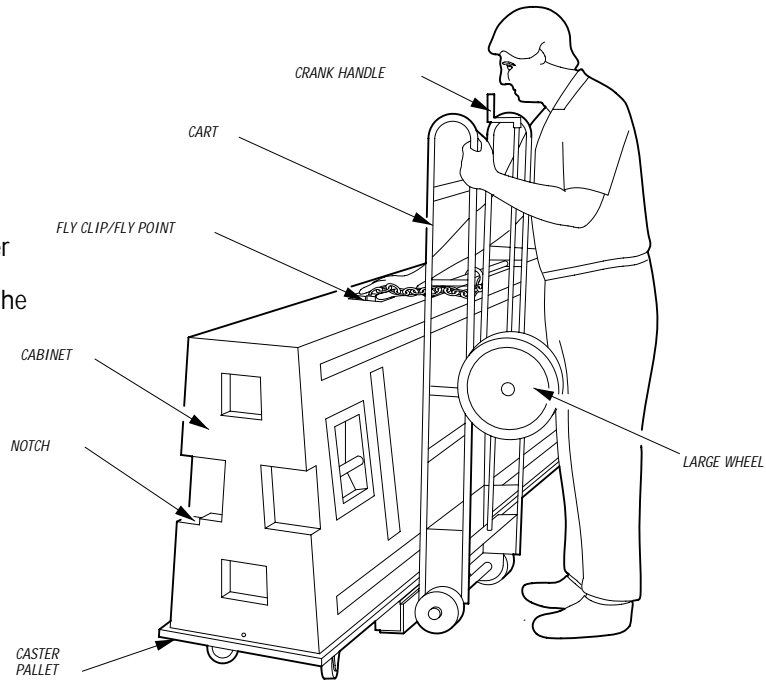


3

Raise the Flybar to a height of 7 feet.

4

Roll the first Module on its Caster Pallet beneath the Flybar so the top of the Module faces front. (The end of each Module has a notch that faces the Module's top surface)

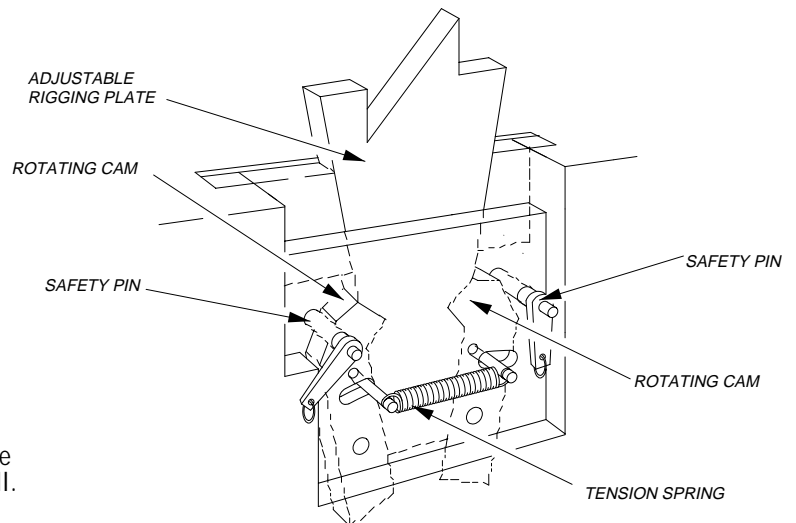


5

Roll the Cart under Cab/Pallet from the rear and center the Cart as shown. Lock the Cart's Flyclip into the Flypoint centered on the back of the Module. Using the Crank Handle, adjust the Cart's large wheels to the top position. Pull the Cart back and lay the Module/Pallet down.

6

Lower the Flybar and align the Rigging Plates so they fit into the Module's Top End Brackets. As they engage, you will see the spring-loaded Rotating Cams snap onto the Rigging Plates' V-Grooves. Once both sides are engaged, rest the entire weight of the Flybar onto the Module. Each Top End Bracket has two holes with a yellow ring around them. Fully insert the Safety Pins into these holes, 2 per side, 4 in all.



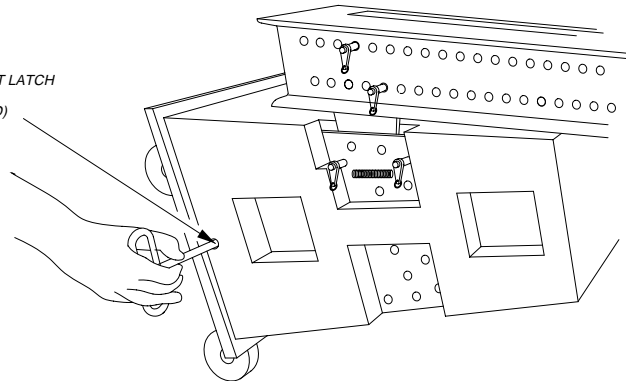
7

Remove the Cart's Flyclip from the back of the Module.

8

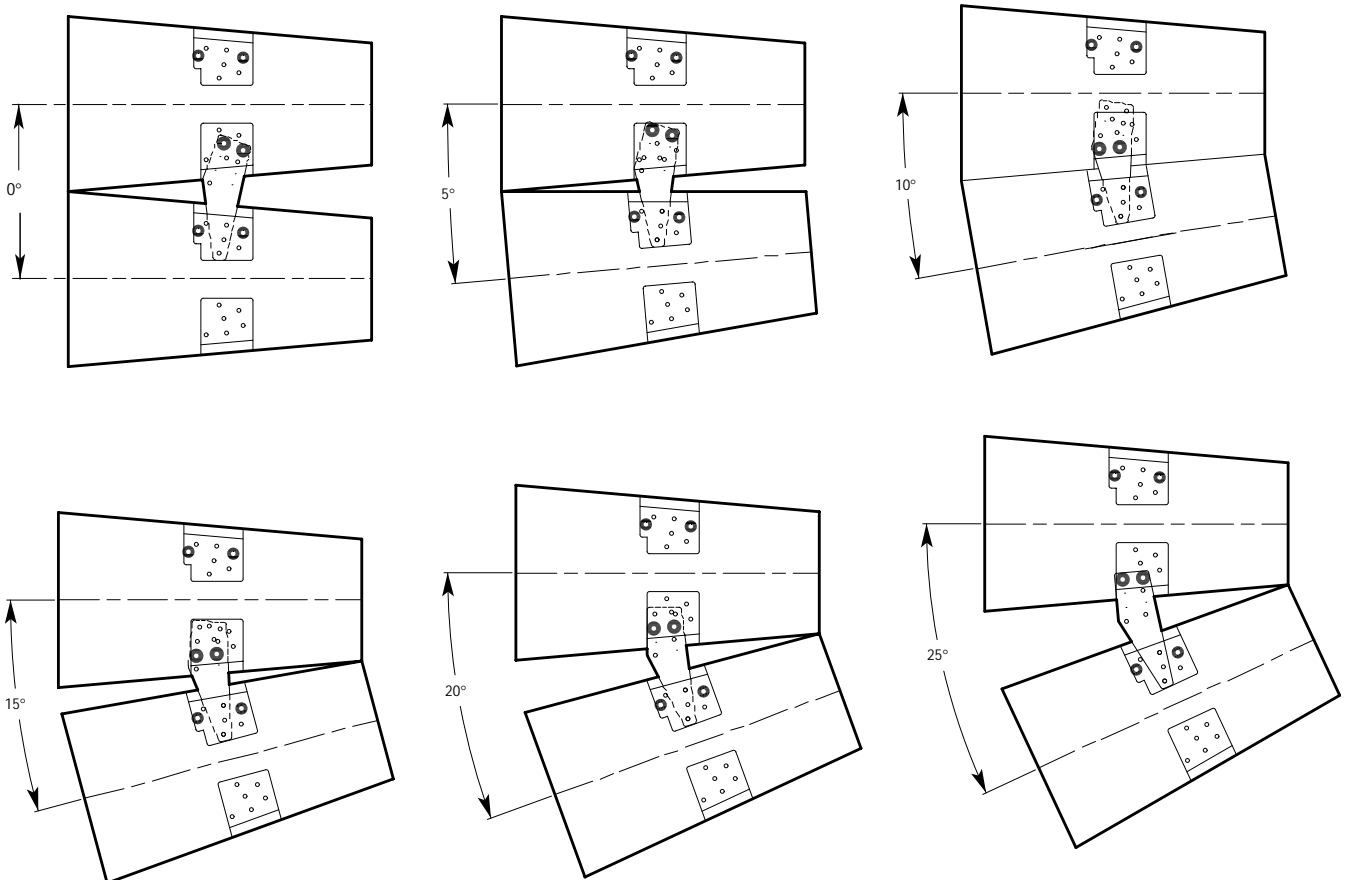
Raise the Flybar and Module a few inches so when you disconnect the Caster Pallet it will drop an inch or so onto the Cart.

CASTER PALLET LATCH ACCESS HOLE
(ONE EACH END)



9

Two latches, one on each end Module, hold the Caster Pallet in place. Insert the Allen Wrench into the latch hole and turn counterclockwise, freeing the Pallet. Remove the loose Pallet and wheel away the Cart.



10

Raise the Array so the Module's Bottom End Bracket is chest high. At this time, select the angle at which the next Module is to be hung. The faces of any two adjacent Modules can be arrayed at 0°, 5°, 10°, 15°, 20° or 25°. Each Rigging Plate offers eight holes (4 sets of two). Each Module's Bottom End Bracket offers six holes (three sets of two). Angles are determined by aligning the proper Rigging Plate holes with the proper Bottom End Bracket holes (see diagrams). Install Rigging Plates into both ends of the Module.



RIGGING HARDWARE TECH NOTE KF860

11

Raise the Array so its bottom is 7 feet above the floor.

12

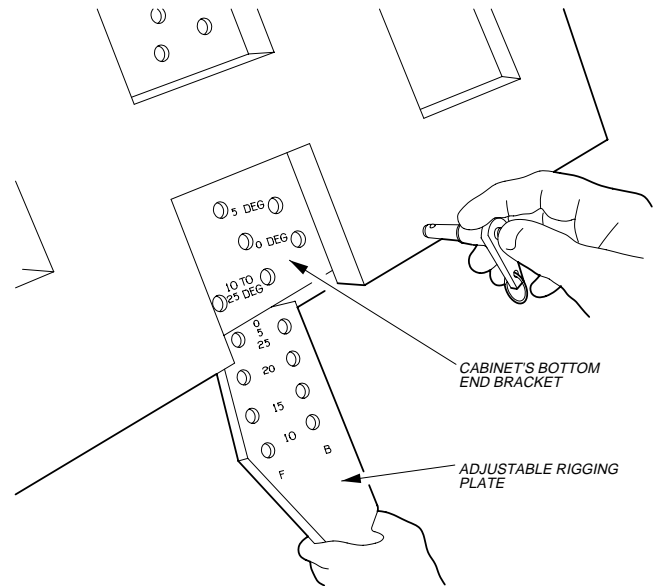
Repeat Step 4. and 5.

13

Adjust the Cart's Large Wheels to align the Module at the proper array angle

14

Repeat step 6. Continue the above sequence until array is complete.



IMPORTANT NOTICE PLEASE READ

This manual details general rigging practices appropriate to the sound industry, as they would apply to the rigging EAW KF860 Series loudspeaker systems. It is intended to familiarize the reader with rigging hardware and techniques for suspending EAW KF860 Series loudspeaker systems overhead. Only persons with the knowledge of proper hardware and safe rigging techniques should attempt to suspend any sound systems overhead. Prior to suspending any EAW KF860 Series loudspeaker systems overhead, it is essential that the user be familiar with the strength ratings, rigging techniques and special safety considerations appropriate to suspending loudspeaker arrays overhead. The rigging techniques and practices recommended in this manual are, of necessity, stated in general terms to accommodate the many variations in loudspeaker arrays and rigging configurations. As such, the user is expressly responsible for the safety of all specific EAW KF860 Series loudspeaker array designs and rigging configurations and to ensure that all local safety regulations are followed.

Securement strength requirements should take into consideration any dynamic loading and other contributing factors affecting the flown system. It is the responsibility of the user to determine the proper safety factor in specific applications and the required strength rating of the connection points. EAW strongly recommends that the EAW KF860 Series loudspeaker systems be used in accordance with all federal, state and local regulations, and strongly urges the user to review and comply with all federal, state and local regulations relative to proper securement of flying or hanging loads prior to usage.

Some aspects of rigging and other related fields for which EAW manufactures, sell or distributes equipment are potentially hazardous. Any person using this equipment is personally responsible for their own safety. EAW transactions are made with the assumption that the purchaser is a qualified individual or will have only qualified individuals perform work with the equipment. EAW will not be liable for any damages arising from the use of equipment sold to purchaser.